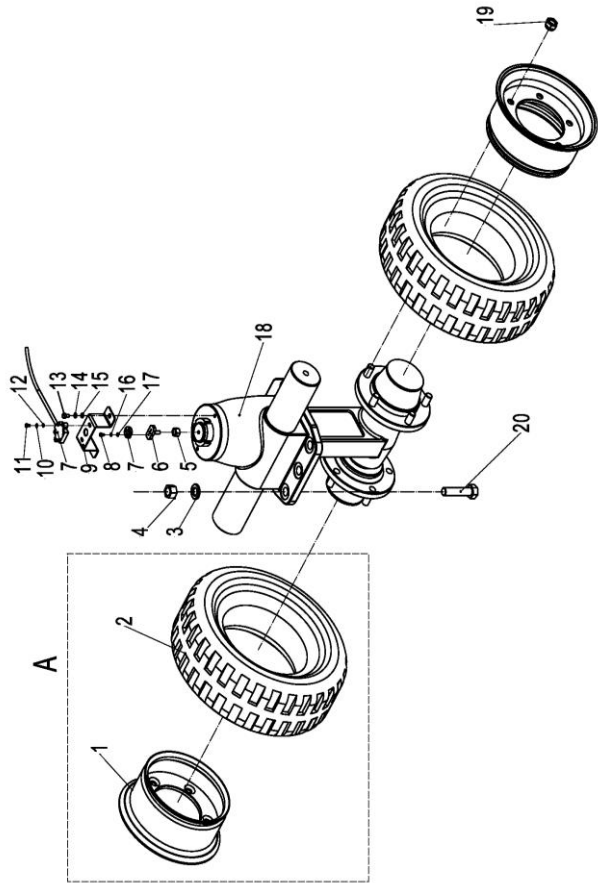
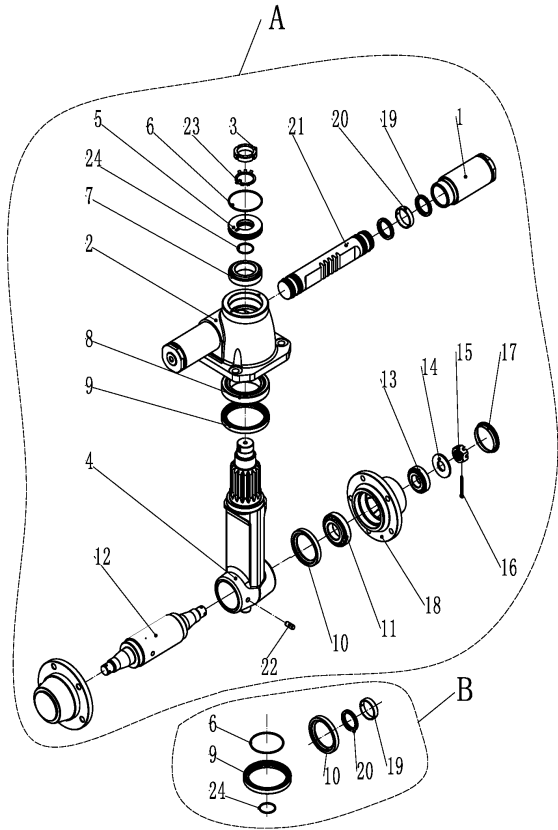


281298501007转向桥及安装/Steering axle and installation

序号/NO	编码/SN	Name	名称	数量/QTY	备注/Remarks
A	281215510001	Steering wheel 15X41/2-8(solid)	转向轮总成15X41/2-8(实心)	2	选装/optional
	281215510002	Steering wheel 15X41/2-8(enviroment)	转向轮总成15X41/2-8(环保)	2	选装/optional
1	281215511001	tire Rim 3.00D-8	轮辋总成3.00D-8	2	
2	281215511002	Tire 15x41/2-8(solid)	轮胎15x41/2-8(实心)	2	选装/optional
	281215511003	Tire 15x41/2-8(environmental)	轮胎15x41/2-8(环保)	2	选装/optional
3	910400100010	washer GB97.1-16-200HV	平垫圈GB97.1-16-200HV	5	老桥自配, 新桥自带
4	910300500008	Nut GB889.1-M16-10	螺母GB889.1-M16-10	5	老桥自配, 新桥自带
5	910300100005	Nut GB6170-M6-10	螺母GB6170-M6-10	1	老桥自配, 新桥自带
6	281216010001	sensor bracket	传感器下支架	1	老桥自配, 新桥自带
7	921800200007	Potentiometer Vert-X	电位器Vert-X	1	老桥自配, 新桥自带
8	910200200003	Bolt GB70.1-M3x12-8.8	螺钉GB70.1-M3x12-8.8	2	老桥自配, 新桥自带
9	281216021001	sensor bracket	传感器上支架	1	老桥自配, 新桥自带
10	910400500003	spring washer GB93-4	弹簧垫圈GB93-4	2	老桥自配, 新桥自带
11	910200200016	Bolt GB70.1-M4x20-8.8	螺钉GB70.1-M4x20-8.8	2	老桥自配, 新桥自带
12	910400100003	washer GB97.1-4-200HV	平垫圈GB97.1-4-200HV	2	老桥自配, 新桥自带
13	910200200035	Bolt GB70.1-M6x16-8.8	螺钉GB70.1-M6x16-8.8	2	老桥自配, 新桥自带
14	910400500005	spring washer GB93-6	弹簧垫圈GB93-6	2	老桥自配, 新桥自带
15	910400100005	washer GB97.1-6-200HV	平垫圈GB97.1-6-200HV	2	老桥自配, 新桥自带
16	910400500002	spring washer GB93-3	弹簧垫圈GB93-3	2	老桥自配, 新桥自带
17	910400100002	washer GB97.1-3-200HV	平垫圈GB97.1-3-200HV	2	老桥自配, 新桥自带
18	281216010002	steering axle	转向桥	1	
18	281216010003	steering axle	转向桥 (转角)	1	新桥
19	281298516014	Rim nut	轮辋螺母	10	
20	910100100074	Bolt GB5782-M16x70-8.8	螺栓GB5782-M16x70-8.8	5	

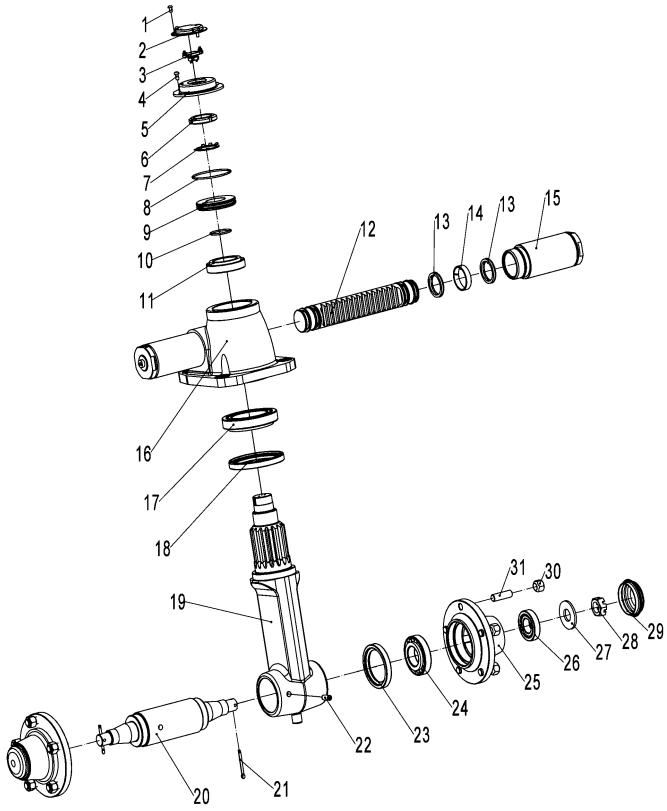


281298501008转向桥总成/Steering axle



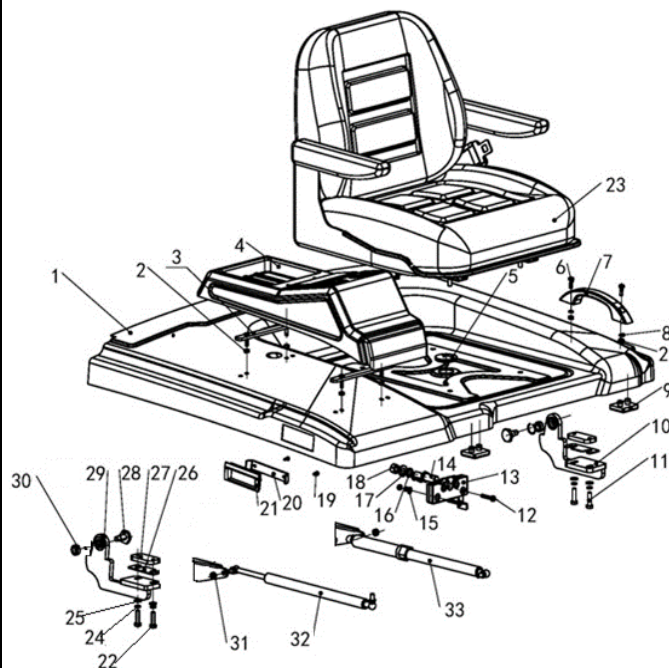
序号/NO	编码/SN	Name	名称	数量/QTY	备注/Remarks
A	281216010002	steering axle	转向桥	1	
B	281298510007	Seal Fixing bag	密封件修理包 (转向桥)	1	含6/9/10/19/20/24
1	281298516001	cylinder assembly	缸套总成DCQ15-1	1	
2	281298516002	slewing bearing	回转支承DCQ15-2	1	
3	281298516003	nut	螺母M39X1.5 -B4832-00039	1	
4	281298516004	Bearing gear shaft	支承齿轴DCQ15-03	1	
5	281298516005	bushing	衬套DCQ15-04	1	
6	▲	O-ring	O形圈82X2.65-Z6003-08202	1	不单独提供
7	281298516016	bearing	轴承32010UBC	1	
8	281298516006	bearing	圆锥滚子轴承Z-32015UBC	1	
9	▲	skeleton oil seal	骨架油封90X115X12-Z6301-09012	1	不单独提供
10	▲	skeleton oil seal	油封65X90X12-5400033-117	2	不单独提供
11	910700600004	bearing	轴承30208	2	
12	281298516007	steering wheel shaft	转向轮轴DCQ15-05	1	
13	910700600002	bearing	轴承30206	2	
14	281298516015	washer 25X28X4	垫圈25X28X4	2	
15	281298516008	nut	开槽螺母M24x2	2	
16	910600600038	pin	开口销GB91-5x45	2	
17	281298516009	Wheel rim cover	轮辋盖22194-32361N	2	
18	281216020010	rim	轮辋DCQ15-06QT	2	
19	▲	U type sealing ring	U型密封圈40X50X6-FU0613L0	4	不单独提供
20	▲	support ring	支承环DCQ15-07	2	不单独提供
21	281298516011	piston rod body	活塞杆体DCQ15-08	1	
22	281298516012	cylindrical pin	圆柱销 10x24	1	
23	281298516013	round nuts with washer	圆螺母用止动垫圈39-B5512-00039	1	
24	▲	O-ring	O形圈40X2.65-Z0654-04002	1	不单独提供

281898501009转向桥总成/Steering axle



序号/NO	编码/SN	Name	名称	数量/QTY	备注/Remarks
1	910200300011	Screw M5X10	内六角平圆头螺钉M5X10	3	新桥
2	281298510023	Dust cover A0MY4-32101	防尘盖A0MY4-32101	1	新桥
3	281298510024	Angle positionerAQ-Z01N1-40291	转角定位器AQ-Z01N1-40291	1	新桥
4	910200300017	Screw M6X12	内六角平圆头螺钉M6X12	3	新桥
5	281298510025	End cover A1P7-32011	端盖A1P7-32011	1	新桥
6	281298516003	nut M39X1.5-B4832-00039	螺母M39X1.5 -B4832-00039	1	新桥
7	281298516013	round nuts with washer 39	圆螺母用止动垫圈39-B5512-00039	1	新桥
8	281298516017	O-ring	O形圈82X2.65-Z6003-08202	1	新桥
9	281298516005	bushing	衬套40X82X13.5(DCQ15-04)	1	新桥
10	281298516022	O-ring	O形圈40X2.65(Z0654-04002)	1	新桥
11	281298516016	bearing	轴承32010UBC	1	新桥
12	281298516011	piston rod body	活塞杆体DCQ15-08	1	新桥
13	281298516020	U type sealing ring	U型密封圈40X50X6(FU0613L0)	4	新桥
14	281298516021	support ring	支承环45X50X7(DCQ15-07)	2	新桥
15	281298516001	cylinder assembly	缸套总成DCQ15-1	1	新桥
16	281298516002	slewing bearing	回转支承DCQ15-2	1	新桥
17	281298516006	bearing	圆锥滚子轴承Z-32015UBC	1	新桥
18	281298516018	skeleton oil seal	骨架油封90X115X12(Z6301-00012)	1	新桥
19	281298516004	Bearing gear shaft	支承齿轴DCQ15-03	1	新桥
20	281298516007	steering wheel shaft	转向轮轴DCQ15-05	1	新桥
21	910600600038	pin	开口销GB91-5x45	2	新桥
22	281298516012	cylindrical pin	圆柱销 10x24	1	新桥
23	281298516019	Oil seal	油封65X90X12-5400033-117	2	新桥
24	910700600004	bearing	轴承30208	2	新桥
25	281216020010	Hub	轮毂DCQ15-06QT	2	新桥
26	910700600002	bearing	轴承30206	2	新桥
27	281298516015	washer	垫圈25X28X4	2	新桥
28	281298516008	nut	开槽螺母M24x2	2	新桥
29	281298516009	Wheel rim cover	轮辋盖22194-32361N	2	新桥
30	281298516014	Rim nut Z01Z1-20201B	轮辋螺母 Z01Z1-20201B	10	新桥
30	281298516023	Rear wheel stud	后轮螺柱	10	新桥

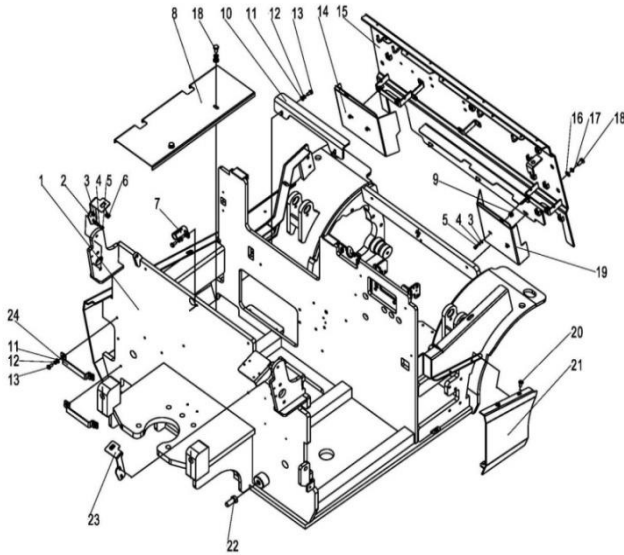
281298501011 电箱瓶盖/hood installation



序号/NO	编码/SN	Name	名称	数量/QTY	备注/Remarks
1	281221011002	battery upper cover	电瓶箱盖焊合	1	FE3D16-18N
	281321011002	battery upper cover	电瓶箱盖焊合	1	FE3D20N
2	910300100005	Nult GB6170-M6-10	螺母GB6170-M6-10	8	
3	255021010016	welded back floor	压板焊合	2	
4	255021020003	Decorate cover	装饰盖	1	
5	255021020046	Safe ring φ35	保护圈φ35	1	
6	910200500053	Nult GB818-M6x20-4.8	螺钉GB818-M6x20-4.8	2	
7	255021020020	knob	拉手	1	
8	910400500005	spring washer GB93-6	弹簧垫圈GB93-6	4	
9	255021020068	washer	缓冲垫	2	
10	281221011005	welded hinge	铰链焊合(左)	1	
11	910100300024	Nult GB5783-M8x30-8.8	螺栓GB5783-M8x30-8.8	4	
12	910200500056	Nult GB818-M6x35-4.8	螺钉GB818-M6x35-4.8	2	
13	255021010010	Lock upper cover	顶盖锁	1	
14	255021020052	Lock	锁舌2	1	
15	910400100005	washer GB97.1-6-200HV	平垫圈GB97.1-6-200HV	2	
16	910400500008	spring washer GB93-12	弹簧垫圈GB93-12	1	
17	910400100008	washer GB97.1-12-200HV	平垫圈GB97.1-12-200HV	1	
18	910300100008	Nult GB6170-M12-10	螺母GB6170-M12-10	1	
19	910200500021	Nult GB818-M4x10-4.8	螺钉GB818-M4x10-4.8	2	
20	255021020055	Fixing Board	固定板	1	
21	255021020021	Knob(inside)	拉手(内)	1	
22	910100300023	Bolt GB5783-M8x25-8.8	螺栓GB5783-M8x25-8.8	6	
23	255037510001	Seats (standard)	座椅(标配)	1	选装/optional
	255037510003	Seats (comfort)	座椅(舒适型)	1	选装/optional
	255037510004	Seat (damping type)	座椅(减振型)	1	选装/optional
24	910400500006	spring washer GB93-8	弹簧垫圈GB93-8	10	
25	910400100006	washer GB97.1-8-200HV	平垫圈GB97.1-8-200HV	10	
26	255021020054	washe	调整垫	2	
27	255021020045	Board	座板	2	
28	255021020043	Bolt	固定螺栓	2	

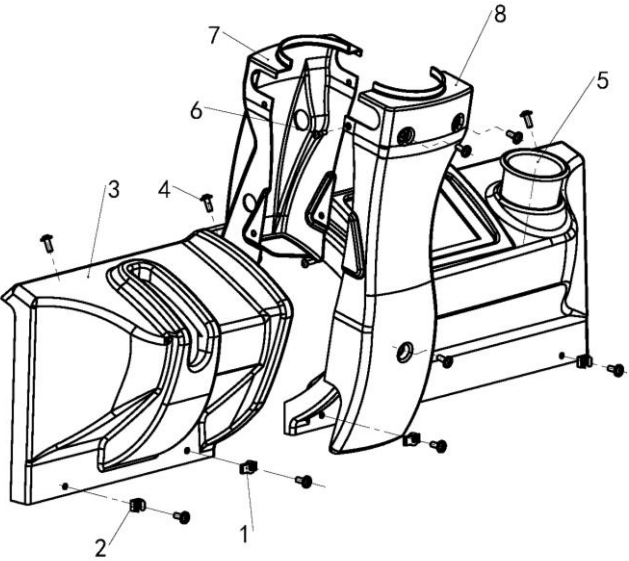
281298501015车架装配/Frame assembly

序号/NO	编码/SN	Name	名称	数量/QTY	备注/Remarks
1	281221511001	Welded frame	车架焊合	1	FE3D16-18N
1	281321511001	Welded frame	车架焊合	1	FE3D20N
2	281221521062	Holder	支架(上盖板右)	1	
3	910400100005	Washer GB97.1-6-200HV	平垫圈GB97.1-6-200HV	8	
4	910400500005	spring washer GB93-6	弹簧垫圈GB93-6	8	
5	910100300009	Bolt GB5783-M6x12-8.8	螺栓GB5783-M6x12-8.8	8	
6	940801500002	M8 nut	M8卡式螺母	2	
7	281221511011	Welded Valve pole seat	阀杆座焊合	1	
8	281221521052	Cover	盖板(电缆)	1	
9	255021020058	M6 nut	M6卡式螺母	4	
10	281221521082	Fixtation board	固定板(前挡板)	1	
11	910400100006	Washer GB97.1-8-200HV	平垫圈GB97.1-8-200HV	7	
12	910400500006	spring washer GB93-8	弹簧垫圈GB93-8	7	
13	910100300020	Bolt GB5783-M8x16-8.8	螺栓GB5783-M8x16-8.8	7	
14	281221511004	Welded cover	盖板焊合(左)	1	
15	281221511009	Welded instrument shelf	仪表架焊合	1	
16	910400100007	Washer GB97.1-10-200HV	平垫圈GB97.1-10-200HV	5	
17	910400500007	spring washer GB93-10	弹簧垫圈GB93-10	5	
18	910100300035	Bolt GB5783-M10x20-8.8	螺栓GB5783-M10x20-8.8	5	
19	281221511006	Welded cover	盖板焊合(右)	1	
20	910200300024	Nut GB70.2-M8x16-8.8	螺钉GB70.2-M8x16-8.8	2	
21	281221511005	Welded board	外侧板焊合(右下)	1	
22	910100300069	Bolt GB5783-M16x35-8.8	螺栓GB5783-M16x35-8.8	2	
23	281221521062	Support (top cover right)	支架(上盖板右)	1	
24	281221521051	Fixed bracket	固定支架	2	

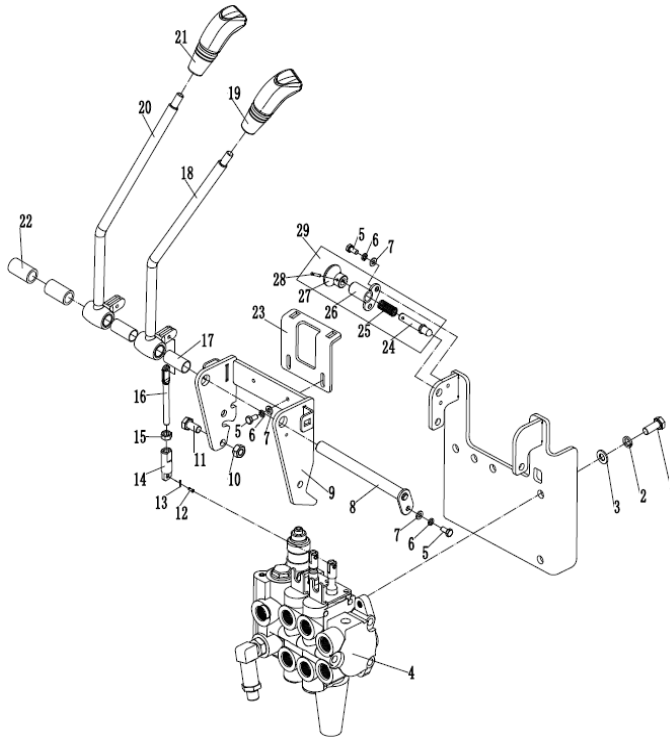


281298501018控制面板/Control panel

序号/NO	编码/SN	Name	名称	数量/QTY	备注/Remarks
1	940400400001	M6 nut	M6卡式螺母	10	
2	940400400001	M6 nut	M6卡式螺母	2	
3	281210021001	Shield (Curtis)	上护罩(Curtis)	1	
4	941100100009	Bolt M6x12-8.8	螺钉M6x12-8.8	19	
5	255010020004	Tool box	工具箱	1	
6	910200500040	Nut GB818-M5x16-4.8	螺钉GB818-M5x16-4.8	2	
7	255010020005	Front cover	前盖	1	
8	255010020006	Rear cover	后盖	1	

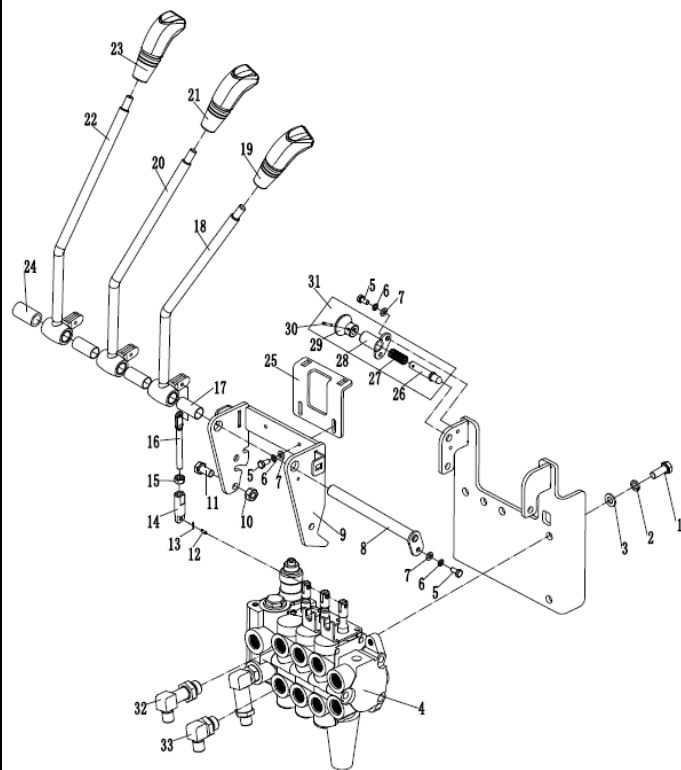


281298501019多路换向阀操纵(二联)/Multiple directional control valve (bigeminy)



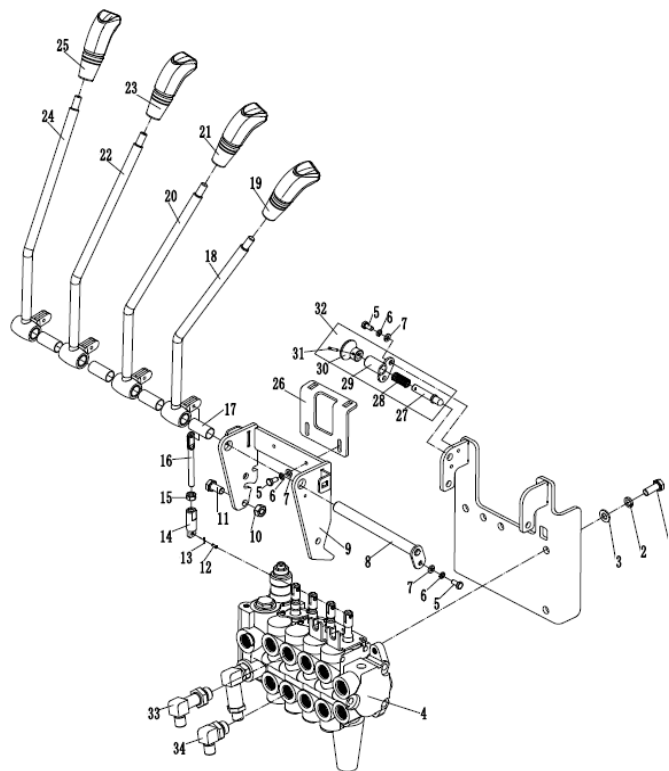
序号/NO	编码/SN	Name	名称	数量/QTY	备注/Remarks
1	910100300036	Bolt GB5783-M10x25-8.8	螺栓GB5783-M10x25-8.8	3	
2	910400500007	spring washer GB93-10	弹簧垫圈GB93-10	6	
3	910400100007	washer GB97.1-10-200HV	平垫圈GB97.1-10-200HV	6	
4	281224511002	Multi way valve (two combined)	多路阀(二联)	1	
4	281224513002	Multi way valve (two solenoid valve)	二联多路阀(电磁阀)	1	CE选装
5	910100300009	Bolt GB5783-M6x12-8.8	螺栓GB5783-M6x12-8.8	5	
6	910400500005	spring washer GB93-6	弹簧垫圈GB93-6	7	
7	910400100005	washer GB97.1-6-200HV	平垫圈GB97.1-6-200HV	9	
8	255024510009	Axle $\Phi 16 \times 168$	带耳轴 $\Phi 16 \times 168$	1	
9	281224511001	Frame assembly	阀杆支架焊合	1	
10	910300500005	Nut GB889.1-M10-10	螺母GB889.1-M10-10	2	
11	910100300035	Bolt GB5783-M10x20-8.8	螺栓GB5783-M10x20-8.8	2	
12	941100800001	Axle B4.75x20-c1B	销轴B4.75x20-c1B	4	
13	910600600011	Axle GB91-2x12	开口销GB91-2x12	4	
14	255025020003	joint	接头	2	
15	910300100006	Nut GB6170-M8-10	螺母GB6170-M8-10	2	
16	255024520017	Link pole	连接杆	2	
17	940500100006	Cover $\Phi 16 \times \Phi 18 \times 15$ -SF-1	复合套 $\Phi 16 \times \Phi 18 \times 15$ -SF-1	4	
18	255024510004	Welded joystick(lifting)	操纵杆焊合(起升)	1	
19	255024520022	Handle ball(lifting)	手柄球(起升)	1	
20	255024510005	Welded joystick(slope)	操纵杆焊合(倾斜)	1	
21	255024520023	Handle ball(slope)	手柄球(倾斜)	1	
22	255024520028	Cover	轴套	2	
23	281224521001	Fixing plate	固定板(防护罩)	1	
24	▲	Handle Axle $\phi 10 \times 60$	手柄轴 $\phi 10 \times 60$	1	不单独提供
25	▲	Spring	压簧	1	不单独提供
26	▲	Axle $\phi 18 \times 27.5$	带耳轴 $\phi 18 \times 27.5$	1	不单独提供
27	▲	Handle	手柄	1	不单独提供
28	▲	Spring axle GB879.1-3x16	弹性圆柱销GB879.1-3x16	1	不单独提供
29	255024510006	Handle	解锁手柄总成	1	包含/Inc.24-28

281298501020多路换向阀操纵(三联)/Multiple directional control valve (trigeminy)



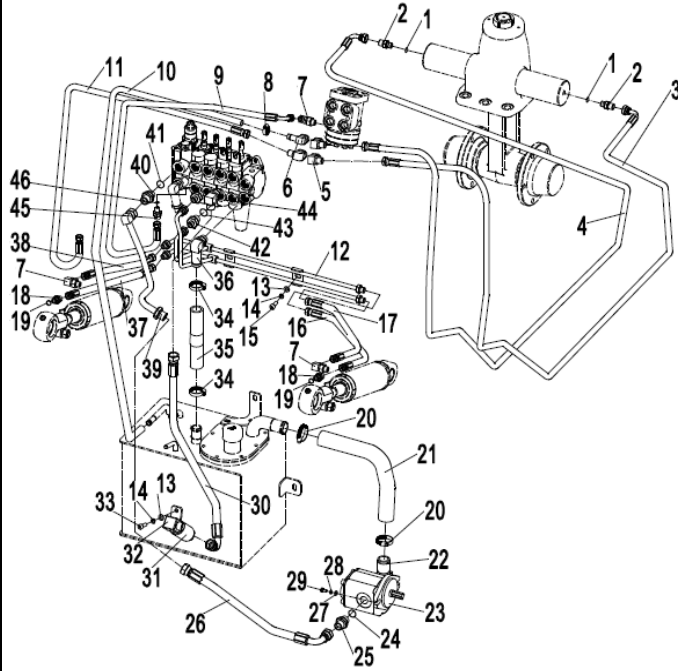
序号/NO	编码/SN	Name	名称	数量/QTY	备注/Remarks
1	910100300036	Bolt GB5783-M10x25-8.8	螺栓GB5783-M10x25-8.8	3	
2	910400500007	spring washer GB93-10	弹簧垫圈GB93-10	6	
3	910400100007	washer GB97.1-10-200HV	平垫圈GB97.1-10-200HV	6	
4	281225011002	Multi way valve (three combined)	多路阀(三联)	1	
4	281225013002	Multi way valve (three solenoid valve)	三联多路阀(电磁阀)	1	CE选装
5	910100300009	Bolt GB5783-M6x12-8.8	螺栓GB5783-M6x12-8.8	5	
6	910400500005	spring washer GB93-6	弹簧垫圈GB93-6	7	
7	910400100005	washer GB97.1-6-200HV	平垫圈GB97.1-6-200HV	9	
8	255024510009	Axle $\Phi 16 \times 168$	带耳轴 $\Phi 16 \times 168$	1	
9	281224511001	Frame assembly	阀杆支架焊合	1	
10	910300500005	Nut GB889.1-M10-10	螺母GB889.1-M10-10	2	
11	910100300035	Bolt GB5783-M10x20-8.8	螺栓GB5783-M10x20-8.8	2	
12	941100800001	Axle B4.75x20-c1B	销轴B4.75x20-c1B	6	
13	910600600011	Axle GB91-2x12	开口销GB91-2x12	6	
14	255025020003	Joint	接头	3	
15	910300100006	Nut GB6170-M8-10	螺母GB6170-M8-10	3	
16	255024520017	Joint	连接杆	3	
17	940500100006	Sleeve $\Phi 16 \times \Phi 18 \times 15$ -SF-1	复合套 $\Phi 16 \times \Phi 18 \times 15$ -SF-1	6	
18	255024510004	Control lever welding (lifting)	操纵杆焊合(起升)	1	
19	255024520022	Handle ball (lifting)	手柄球(起升)	1	
20	255024510005	Control lever welding (slope)	操纵杆焊合(倾斜)	1	
21	255024520023	Handle ball(slope)	手柄球(倾斜)	1	
22	255025010001	Control lever welding (accessory 1)	操纵杆焊合(属具1)	1	
23	255025020002	Handle ball (accessory 1)	手柄球(属具1)	1	
24	255024520028	Sleeve	轴套	1	
25	281224521001	Fixing seat	固定板(防护罩)	1	
26	▲	Handle axle $\phi 10 \times 60$	手柄轴 $\phi 10 \times 60$	1	不单独提供
27	▲	Spring	压簧	1	不单独提供
28	▲	Axle $\phi 18 \times 27.5$	带耳轴 $\phi 18 \times 27.5$	1	不单独提供
29	▲	Handle	手柄	1	不单独提供
30	▲	Dowel pin GB879.1-3x16	弹性圆柱销GB879.1-3x16	1	不单独提供

281298501021多路换向阀操纵(四联)/Multiple directional control valve(four joint)



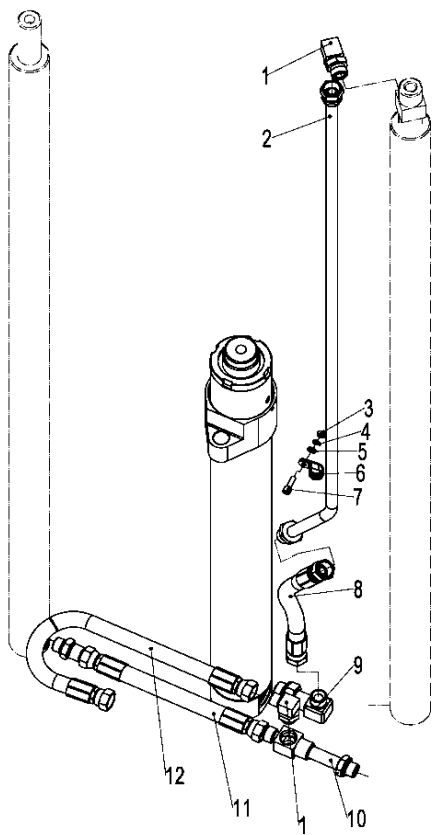
序号/NO	编码/SN	Name	名称	数量/QTY	备注/Remarks
1	910100300036	Bolt GB5783-M10x25-8.8	螺栓GB5783-M10x25-8.8	3	
2	910400500007	spring washer GB93-10	弹簧垫圈GB93-10	6	
3	910400100007	washer GB97.1-10-200HV	平垫圈GB97.1-10-200HV	6	
4	281225511002	Multi way valve (four combined)	多路阀(四联)	1	
4	281225513002	Multi way valve (four solenoid valve)	四联多路阀(电磁阀)	1	CE
5	910100300009	Bolt GB5783-M6x12-8.8	螺栓GB5783-M6x12-8.8	5	
6	910400500005	spring washer GB93-6	弹簧垫圈GB93-6	7	
7	910400100005	washer GB97.1-6-200HV	平垫圈GB97.1-6-200HV	9	
8	255024510009	Axle Φ 16x168	带耳轴 Φ 16x168	1	
9	281224511001	Frame assembly	阀杆支架焊合	1	
10	910300500005	Nut GB889.1-M10-10	螺母GB889.1-M10-10	2	
11	910100300035	Bolt GB5783-M10x20-8.8	螺栓GB5783-M10x20-8.8	2	
12	941100800001	Axle B4.75x20-c1B	销轴B4.75x20-c1B	8	
13	910600600011	Axle GB91-2x12	开口销GB91-2x12	8	
14	255025020003	Joint	接头	4	
15	910300100006	Nut GB6170-M8-10	螺母GB6170-M8-10	4	
16	255024520017	Connecting rod	连接杆	4	
17	940500100006	Sleeve Φ 16x Φ 18x15-SF-1	复合套 Φ 16x Φ 18x15-SF-1	8	
18	255024510004	Control lever welding(lifting)	操纵杆焊合(起升)	1	
19	255024520022	Handle ball(lifting)	手柄球(起升)	1	
20	255024510005	Control lever welding(slope)	操纵杆焊合(倾斜)	1	
21	255024520023	Handle ball (slope)	手柄球(倾斜)	1	
22	255025010001	Control lever welding(accessory 1)	操纵杆焊合(属具1)	1	
23	255025020002	Handle ball(accessory 1)	手柄球(属具1)	1	
24	255025510001	Control lever welding (accessory 2)	操纵杆焊合(属具2)	1	
25	255025520002	Handle ball(accessory2)	手柄球(属具2)	1	
26	281224521001	Fixing seat	固定板(防护罩)	1	
27	▲	Handle ϕ 10x60	手柄轴 ϕ 10x60	1	不单独提供
28	▲	Spring	压簧	1	不单独提供
29	▲	Axle ϕ 18x27.5	带耳轴 ϕ 18x27.5	1	不单独提供
30	▲	Handle	手柄	1	不单独提供

281298501022 液压系统/Hydraulic system



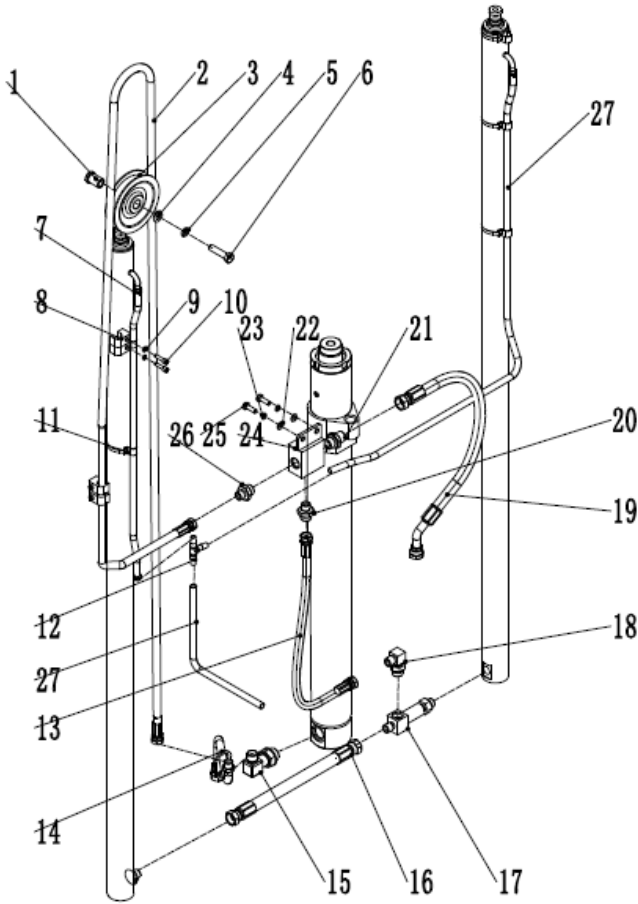
序号/NO	编码/SN	Name	名称	数量/QTY	备注/Remarks
1	910800900004	Washer JB982-14	组合垫圈JB982-14	2	
2	284023520001	Joint 7.9-G1/4-M16x1.5-60°	接(直)7.9-G1/4-M16x1.5-60°	2	
3	281223521002	Hydraulic hose assembly (90°)8-L25	液压管总成(90°)8-L2550-1SC-60°	1	
4	281223521001	Hydraulic hose assembly (90°)8-L30	液压管总成(90°)8-L3050-1SC-60°	1	
5	255023510007	Joint 10-M20x1.5-M16x1.5-60°	接头(锁定弯)10-M20x1.5-M16x1.5-60°	3	
6	255023510008	Joint 11-M20x1.5-0	接头(锁定弯)11-M20x1.5-0	1	
7	255023510003	Joint 6-G1/4-M14x1.5-60°	接头(锁定弯)6-G1/4-M14x1.5-60°	3	
8	911000600003	Hose clamp QC/T390-(22-26)	喉箍QC/T390-(22-26)	2	
9	255023520003	Hydraulic hose assembly (90°)6-L14	液压管总成(90°)6-L1420-1SC-60°	1	
10	900200401001	Oil return hose Φ13X5	回油胶管Φ13x5	1	L=1600
11	255030520017	Hydraulic hose assembly 8-L1450-1	液压管总(直)8-L1450-1SC-60°	1	
12	281223511001	Slope steel pipe	倾斜钢管	1	
13	910400100006	Washer GB97.1-8-200HV	平垫圈GB97.1-8-200HV	3	
14	910400500006	spring washer GB93-8	弹簧垫圈GB93-8	3	
15	910200200057	Screw GB70.1-M8x20-8.8	螺钉GB70.1-M8x20-8.8	2	
16	281223521016	Hydraulic hose assembly 6-L660-1S	液压管总(直)6-L660-1SC-60°	1	
17	281223521015	Hydraulic hose assembly 6-L520-1S	液压管总(直)6-L520-1SC-60°	1	
18	255023520007	Joint 6-G1/4-M14x1.5-60°	接头(直)6-G1/4-M14x1.5-60°	2	
19	910800100021	O ring 11.2x2.65	O形圈-内11.2x2.65	2	
20	911000600006	Hose clamp QC/T390-(40-45)	喉箍QC/T390-(40-45)	2	
21	281223521008	Rubber hose	胶管(吸油)	1	
22	255023510005	Joint 25-G1-Φ32	接头(转向弯)25-G1-Φ32	1	
23	281223511006	Gear pump	齿轮泵(左旋)	1	
24	910800100004	O ring 18x2.65	O形圈-内18x2.65	1	
25	263023520028	Joint 12-G1/2-M22x1.5-60°	接头(直)12-G1/2-M22x1.5-60°	1	
26	281223521004	Hydraulic hose assembly (45°)13-L4	液压管总成(45°)13-L415-2SC-60°	1	
27	910400100007	Washer GB97.1-10-200HV	平垫圈GB97.1-10-200HV	2	
28	910400500007	spring washer GB93-10	弹簧垫圈GB93-10	2	
29	910100300037	Bolt GB5783-M10x30-8.8	螺栓GB5783-M10x30-8.8	2	
30	281223521003	Hydraulic hose assembly (90°)13-L6	液压管总成(90°)13-L650-2SC-60°	1	
31	275044010057	Speed limit valve XSF-F16L-30	限速阀XSF-F16L-30	1	

281298501025门架起升管路(二级全自由)/Mast lifting pipeline(two stage full free lift)



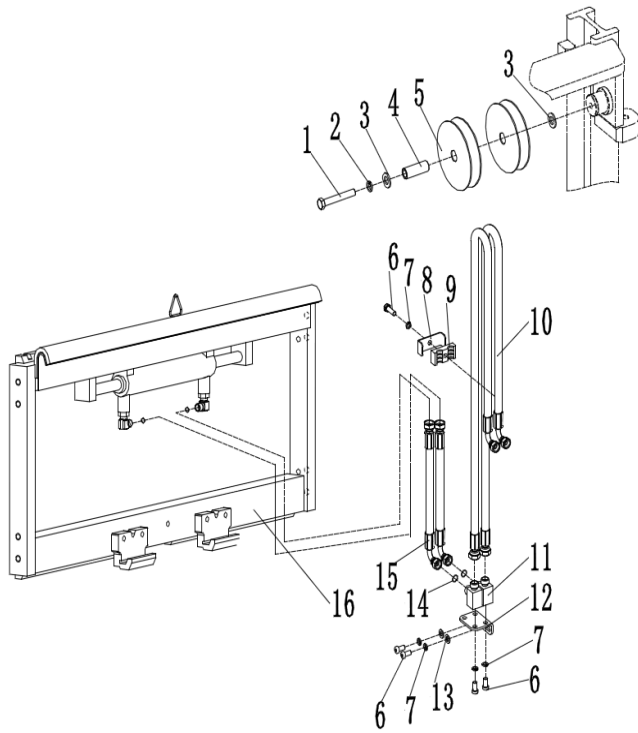
序号/NO	编码/SN	Name	名称	数量/QTY	备注/Remarks
1	255044020151	Joint (lock bend) 12-2xm22x1.5-60	接头(锁定弯)12-2xM22x1.5-60°	2	
2	255043520010	Hydraulic steel pipe L=1010	液压钢管L=1010	1	H=2500
	255043520024	Hydraulic steel pipe L=1255	液压钢管L=1255	1	H=2700
	255043520011	Hydraulic steel pipe L=1300	液压钢管L=1300	1	H=3000
	255043520012	Hydraulic steel pipe L=1460	液压钢管L=1460	1	H=3300
	255043520013	Hydraulic steel pipe L=1610	液压钢管L=1610	1	H=3500
	255043520013	Hydraulic steel pipe L=1610	液压钢管L=1610	1	H=3700
	255043520014	Hydraulic steel pipe L=1850	液压钢管L=1850	1	H=4000
	255043520015	Hydraulic steel pipe L=2010	液压钢管L=2010	1	H=4300
	255043520016	Hydraulic steel pipe L=2110	液压钢管L=2110	1	H=4500
255043520017	Hydraulic steel pipe L=2360	液压钢管L=2360	1	H=5000	
3	910300100005	Nut GB6170 - M6-10	螺母GB6170-M6-10	1	
4	910400500005	Spring washer gb93-6	弹簧垫圈GB93-6	1	
5	910400100005	Flat washer GB97.1-6-200 hv	平垫圈GB97.1-6-200HV	1	
6	951000100003	Tube clip YGE adhesive 15	管夹YGE包胶15	1	
7	910200200036	Screw GB70.1 M6x20-8.8	螺钉GB70.1-M6x20-8.8	1	
8	255044520068	Hydraulic tube assembly (straight) 15-L450-2SC-60°	液压管总成(直)15-L450-2SC-60°	1	H=2500
8	255044520067	Hydraulic tube assembly (straight) 15-L330-2SC-60°	液压管总成(直)15-L330-2SC-60°	1	H=2700
8	255044020119	Hydraulic tube assembly (straight) 15-L395-2SC-60°	液压管总成(直)15-L395-2SC-60°	1	H=3000
8	255044020119	Hydraulic tube assembly (straight) 15-L395-2SC-60°	液压管总成(直)15-L395-2SC-60°	1	H=3300
8	255044020119	Hydraulic tube assembly (straight) 15-L395-2SC-60°	液压管总成(直)15-L395-2SC-60°	1	H=3500
8	255044520068	Hydraulic tube assembly (straight) 15-L450-2SC-60°	液压管总成(直)15-L450-2SC-60°	1	H=3700
8	255044020119	Hydraulic tube assembly (straight) 15-L395-2SC-60°	液压管总成(直)15-L395-2SC-60°	1	H=4000
8	255044020119	Hydraulic tube assembly (straight) 15-L395-2SC-60°	液压管总成(直)15-L395-2SC-60°	1	H=4300
8	255044020119	Hydraulic tube assembly (straight) 15-L395-2SC-60°	液压管总成(直)15-L395-2SC-60°	1	H=4500
8	255044020119	Hydraulic tube assembly (straight) 15-L395-2SC-60°	液压管总成(直)15-L395-2SC-60°	1	H=5000
9	255043520022	Joint (lock bend) 12-m27x1.5-M22x1.5	接头(锁定弯)12-M27x2-M22x1.5	1	
10	254144020038	Joint (tee)	接头(三通)	1	
11	254144020039	Hydraulic tube assembly (straight) 12-L345-2SC-60°	液压管总成(直)12-L345-2SC-60°	1	
12	281244029001	Hydraulic tube assembly (90°) 15-L600-2SC-60°	液压管总成(90°)15-L600-2SC-60°	1	

281298501026门架起升管路 (三级全自由)/Mast lifting pipeline(three stage full free lift)



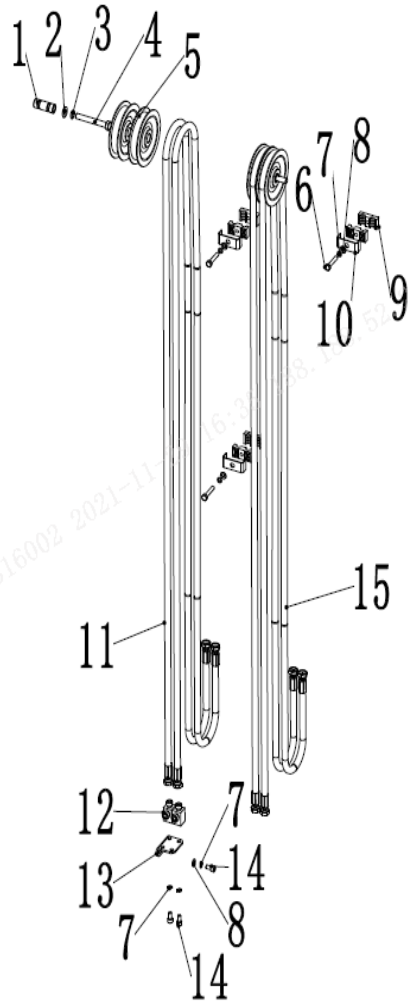
序号/NO	编码/SN	Name	名称	数量/QTY	备注/Remarks
1	255044520081	Bushing	衬套	1	
2	281244519101	Hydraulic hose assembly 12-L2730	液压管总成(直)12-L2730-2SC-60°	1	H=4000
2	281244519102	Hydraulic hose assembly 12-L2980	液压管总成(直)12-L2980-2SC-60°	1	H=4350
2	281244519103	Hydraulic hose assembly 12-L3080	液压管总成(直)12-L3080-2SC-60°	1	H=4500
2	275344529016	Hydraulic hose assembly 12-L3280	液压管总成(直)12-L3280-2SC-60°	1	H=4800
2	281244519105	Hydraulic hose assembly 12-L3480	液压管总成(直)12-L3480-2SC-60°	1	H=5000
2	281244519106	Hydraulic hose assembly 12-L3780	液压管总成(直)12-L3780-2SC-60°	1	H=5500
2	281244519107	Hydraulic hose assembly 12-L4180	液压管总成(直)12-L4180-2SC-60°	1	H=6000
2	281244519108	Hydraulic hose assembly 12-L4580	液压管总成(直)12-L4580-2SC-60°	1	H=6500
2	281244519109	Hydraulic hose assembly 12-L3620	液压管总成(直)12-L3620-2SC-60°	1	H=5200
3	255030520021	Pulley φ110x27	滑轮φ110x27 (单槽)	1	
4	910400100008	Washer GB97.1-12-200HV	平垫圈GB97.1-12-200HV	1	
5	910400500008	spring washer GB93-12	弹簧垫圈GB93-12	1	
6	910100300054	Bolt GB5783-M12x50-8.8	螺栓GB5783-M12x50-8.8	1	
7	255044020043	Clamp 13	卡箍13	5	
8	255044520132	Tubing clamps	油管夹	4	
9	910400500005	Spring washer GB93-6	弹簧垫圈GB93-6	4	
10	910200200038	Screw GB70.1-M6x25-8.8	螺钉GB70.1-M6x25-8.8	4	
11	921600400001	Ribbon 4x250	扎带4x250	6	
12	255044020118	Connector (tee)	接头(三通)	1	
13	254144520035	Hydraulic hose assembly (135°)12-L	液压管总成(135°)12-L510-2SC-60°	1	
14	254144510021	Pipe	中缸过渡钢管	1	
15	255043520022	Joint 12-M27x2-M22x1.5	接头(锁定弯) 12-M27x2-M22x1.5	1	
16	254144020039	Hose 12-L345-2SC-60°	液压管总成(直)12-L345-2SC-60°	2	
17	254144020038	Connector (tee)	接头(三通)	1	
18	281244529001	Joint 12-M18x1.5-M22x1.5-60°	接头(锁定弯) 12-M18x1.5-M22x1.5	1	
19	254144520048	Hydraulic hose assembly (90°)15-L	液压管总成(90°)15-L800-2SC-60°	1	
20	254144520040	Joint 10-M22x1.5-M18x1.5-60°	接头(直)10-M22x1.5-M18x1.5-60	1	
21	255044020151	Joint 12-2xM22x1.5-60°	接头(锁定弯)12-2xM22x1.5-60°	2	
22	910400100006	Washer GB97.1-8-200HV	平垫圈GB97.1-8-200HV	2	

281298501027侧移器及管路安装(标准门架)/Side shifter and pipeline installation (standard mast)



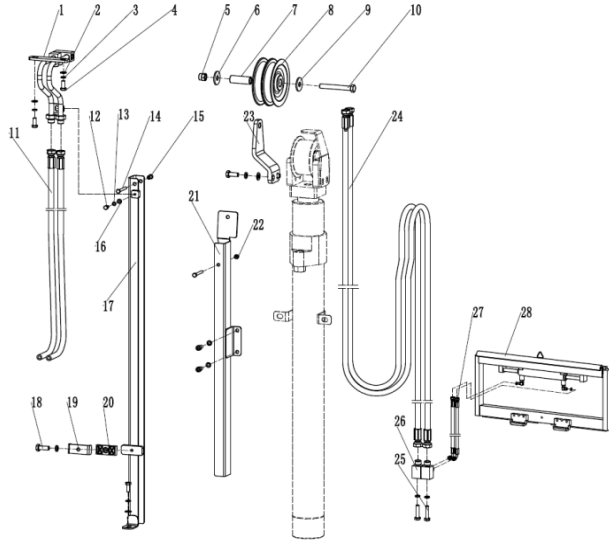
序号/NO	编码/SN	Name	名称	数量/QTY	备注/Remarks
1	910100100056	Bolt GB5782-M12x90-8.8	螺栓GB5782-M12x90-8.8	1	
2	910400500008	Spring washer GB93-12	弹簧垫圈GB93-12	1	
3	910400100008	WasherGB97.1-12-200HV	平垫圈GB97.1-12-200HV	1	
4	255030520022	Sleeve Φ22xΦ13x56	衬套Φ22xΦ13x56	1	
5	255030520021	Pulley Φ110x27	滑轮Φ110x27(单槽)	2	
6	910200200059	ScrewGB70.1-M8x30-8.8	螺钉GB70.1-M8x30-8.8	3	
7	910400500006	Spring washer GB93-8	弹簧垫圈GB93-8	3	
8	255028520034	hose immobilization lump	胶管固定块	1	
9	255028520035	Pipe clamp munting plate	管夹安装板	1	
10	254128520035	Hydraulic hose assembly 10-L2850	液压管总成(直)10-L2850-1SC-60°	2	H=2000
	255030520006	Hydraulic hose assembly 10-L3370	液压管总成(直)10-L3370-1SC-60°	2	H=2500
	254128520040	Hydraulic hose assembly 10-L3500	液压管总成(直)10-L3500-1SC-60°	2	H=2700
	281227511001	Hydraulic hose assembly 10-L3800	液压管总成(直)10-L3800-1SC-60°	2	H=3000
	281227511002	Hydraulic hose assembly 10-L4200	液压管总成(直)10-L4200-1SC-60°	2	H=3300
	281227511003	Hydraulic hose assembly 10-L4300	液压管总成(直)10-L4300-1SC-60°	2	H=3500
	281227511004	Hydraulic hose assembly 10-L4500	液压管总成(直)10-L4500-1SC-60°	2	H=3700
	281227511005	Hydraulic hose assembly 10-L4900	液压管总成(直)10-L4900-1SC-60°	2	H=4000
	281227511006	Hydraulic hose assembly 10-L5200	液压管总成(直)10-L5200-1SC-60°	2	H=4300
	281227511007	Hydraulic hose assembly 10-L5500	液压管总成(直)10-L5500-1SC-60°	2	H=4500
281227511008	Hydraulic hose assembly 10-L5950	液压管总成(直)10-L5950-1SC-60°	2	H=5000	
11	255028520001	Joint 8-M16x1.5-M18x1.5-60°	接头(锁定弯)8-M16x1.5-M18x1.5-	2	
12	254127520001	Install plate	安装板	1	
13	910400100006	washer GB97.1-8-200HV	平垫圈GB97.1-8-200HV	2	
14	910800100001	Oring 9.5x1.8	O形圈-内9.5x1.8	4	
15	281239520002	Hydraulic hose assembly (90°)10-L500	液压管总成(90°)10-L500-1SC-60°	2	
16	255042510004	Side shifter assembly(LH)	侧移器总成(LH)	1	选装/optional
16	255042510001	Side shifter assembly(LD)	侧移器总成(LD)	1	选装/optional
16	255042510002	Side shifter assembly(CASCADE)	侧移器总成(卡斯卡特)	1	选装/optional

281298501028双附加管路 FOURTH ADDITIONAL PIPELINE (standard mast)



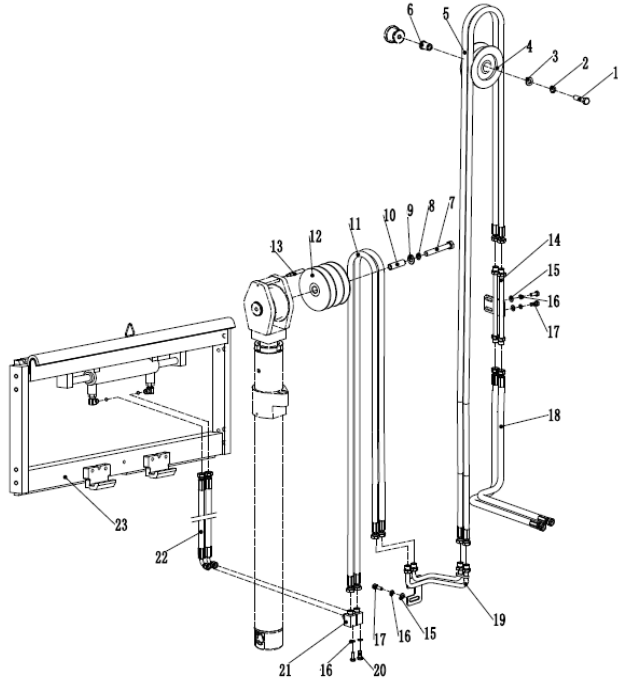
序号/NO	编码/SN	Name	名称	数量/QTY	备注/Remark
1	255030520022	Bush $\Phi 22 \times \Phi 13 \times 56$	衬套 $\Phi 22 \times \Phi 13 \times 56$	2	
2	910400200005	big washer GB96.1-12-200HV	大垫圈GB96.1-12-200HV	2	
3	910400500008	Spring washer GB93-12	弹簧垫圈GB93-12	2	
4	910100100056	Bolt GB5782-M12x90-8.8	螺栓GB5782-M12x90-8.8	2	
5	251127520001	Pulley $\Phi 110 \times 42$ (double groove)	滑轮 $\Phi 110 \times 42$ (双槽)	2	
6	910100300025	Bolt GB5783-M8x35-8.8	螺栓GB5783-M8x35-8.8	4	
7	910400500006	Spring washer GB93-8	弹簧垫圈GB93-8	12	
8	910400100006	Flat washer GB97.1-8-200HV	平垫圈GB97.1-8-200HV	12	
9	255028520034	Pipe press fixedly plank	胶管固定块	8	
10	255028520035	mounting plate	安装板(管夹)	4	
11	256530520701	Hydraulic hose assembly 10-L3100-	液压管总成(直)10-L3100-1SC-60°	2	H=2000
11	255028520059	Hydraulic hose assembly 10-L3600-	液压管总成(直)10-L3600-1SC-60°	2	H=2500
11	281228011001	Hydraulic hose assembly 10-L3700-	液压管总成(直)10-L3700-1SC-60°	2	H=2700
11	263030520003	Hydraulic hose assembly 10-L4000-	液压管总成(直)10-L4000-1SC-60°	2	H=3000
11	255028520062	Hydraulic hose assembly 10-L4400-	液压管总成(直)10-L4400-1SC-60°	2	H=3300
11	281227511004	Hydraulic hose assembly 10-L4500-	液压管总成(直)10-L4500-1SC-60°	2	H=3500
11	275227511002	Hydraulic hose assembly 10-L4700-	液压管总成(直)10-L4700-1SC-60°	2	H=3700
11	255028520064	Hydraulic hose assembly 10-L5075-	液压管总成(直)10-L5075-1SC-60°	2	H=4000
11	281228011003	Hydraulic hose assembly 10-L5400-	液压管总成(直)10-L5400-1SC-60°	2	H=4300
11	281228011004	Hydraulic hose assembly 10-L5700-	液压管总成(直)10-L5700-1SC-60°	2	H=4500
11	281228011005	Hydraulic hose assembly 10-L6150-	液压管总成(直)10-L6150-1SC-60°	2	H=5000
12	255028520001	Joint (locking bend) 8-M16x1.5-M18	接头(锁定弯)8-M16x1.5-M18x1.5-60°	4	
13	254127520001	mounting plate	安装板	2	
14	910200200055	Screw GB70.1-M8x16-8.8	螺钉GB70.1-M8x16-8.8	8	
15	254128520035	Hydraulic hose assembly 10-L2850-	液压管总成(直)10-L2850-1SC-60°	2	H=2000
15	255030520006	Hydraulic hose assembly 10-L3370-	液压管总成(直)10-L3370-1SC-60°	2	H=2500
15	254128520040	Hydraulic hose assembly 10-L3500-	液压管总成(直)10-L3500-1SC-60°	2	H=2700
15	281227511001	Hydraulic hose assembly 10-L3800-	液压管总成(直)10-L3800-1SC-60°	2	H=3000
15	281227511002	Hydraulic hose assembly 10-L4200-	液压管总成(直)10-L4200-1SC-60°	2	H=3300
15	281227511003	Hydraulic hose assembly 10-L4300-	液压管总成(直)10-L4300-1SC-60°	2	H=3500
15	281227511004	Hydraulic hose assembly 10-L4500-	液压管总成(直)10-L4500-1SC-60°	2	H=3700

281298501029侧移器及管路安装（二级全自由）/Side shifter and pipeline installation(two stage full free)



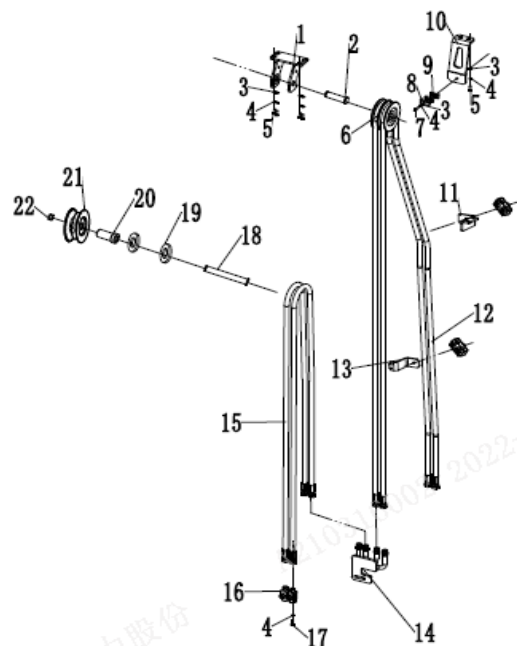
序号/NO	编码/SN	Name	名称	数量/QTY	备注/Remarks
1	254128510001	Transition steel pipe	过度钢管焊合	1	
2	910400100006	Washer GB97.1-8-200HV	平垫圈GB97.1-8-200HV	2	
3	910400500006	Spring washer GB93-8	弹簧垫圈GB93-8	2	
4	941100400001	Screw M8x20-8.8	螺钉M8x20-8.8	2	
5	910300500006	Nut GB889.1-M12-10	螺母GB889.1-M12-10	1	
6	910400100008	washer GB97.1-12-200HV	平垫圈GB97.1-12-200HV	1	
7	255030520022	Bushing	衬套	1	
8	255030520021	Pulley φ110x27	滑轮φ110x27（单槽）	1	
9	910400200005	Washer GB96.1-12-200HV	大垫圈GB96.1-12-200HV	1	
10	910100300025	BoltGB5783-M8x35-8.8	螺栓GB5783-M8x35-8.8	1	
11	281229020021	Hydraulic hose assembly10-L1650-	液压管总成(直)10-L1650-1SC-60	2	H=2500
	254130520004	Hydraulic hose assembly10-L1795-	液压管总成(直)10-L1795-1SC-60°	2	H=2700
	281229020022	Hydraulic hose assembly10-L1900-	液压管总成(直)10-L1900-1SC-60°	2	H=3000
	255030520001	Hydraulic hose assembly10-L2060-	液压管总成(直)10-L2060-1SC-60°	2	H=3300
	255028520044	Hydraulic hose assembly 10-L2150-	液压管总成(直)10-L2150-1SC-60°	2	H=3500
	255028520018	Hydraulic hose assembly 10-L2270-	液压管总成(直)10-L2270-1SC-60°	2	H=3700
	254130520009	Hydraulic hose assembly10-L2470-	液压管总成(直)10-L2470-1SC-60°	2	H=4000
12	941100100009	Nut M6x12-8.8	螺母M6x12-8.8	1	
13	910400500005	Spring washer GB93-6	弹簧垫圈GB93-6	1	
14	910100300016	BoltGB5783-M6x50-8.8	螺栓GB5783-M6x50-8.8	2	
15	910301300002	Nut GB17880.1-M6x16.5	螺母GB17880.1-M6x16.5	1	
16	910400100005	Washer GB97.1-6-200HV	平垫圈GB97.1-6-200HV		
17	281228510001	Groove welding L=705	外导槽焊合L=705	1	H=2500
	281228510002	Groove welding L=805	外导槽焊合L=805	1	H=2700
	281228510003	Groove welding L=955	外导槽焊合L=955	1	H=3000
	281228510004	Groove welding L=1105	外导槽焊合L=1105	1	H=3300
	281228510005	Groove welding L=1205	外导槽焊合L=1205	1	H=3500
	281228510006	Groove welding L=1305	外导槽焊合L=1305	1	H=3700
	281228510007	Groove welding L=1505	外导槽焊合L=1505	1	H=4000
18	910200200059	Screw GB70.1-M8x30-8.8	螺钉GB70.1-M8x30-8.8	1	
19	255028520035	Pipe clamp munting plate	管夹安装板	2	

281298501030侧移器及管路安装(三级全自由)/Side shifter and pipeline installation(three stage full free)



序号/NO	编码/SN	Name	名称	数量/QTY	备注/Remarks
1	910100100054	Bolt GB5782-M12x80-8.8	螺栓GB5782-M12x80-8.8	1	
2	910400500008	Spring washer GB93-12	弹簧垫圈GB93-12	1	
3	910400100008	washer GB97.1-12-200HV	平垫圈GB97.1-12-200HV	2	
4	255030520020	Pulley Φ120x42	滑轮Φ120x42(双槽)	1	
5	255030520001	Hydraulic hose assembly 10-L2060	液压管总成(直)10-L2060-1SC-60°	2	H=4000
	255030520002	Hydraulic hose assembly 10-L2310	液压管总成(直)10-L2310-1SC-60°	2	H=4350
	255030520003	Hydraulic hose assembly 10-L2410	液压管总成(直)10-L2410-1SC-60°	2	H=4500
	255030520004	Hydraulic hose assembly 10-L2610	液压管总成(直)10-L2610-1SC-60°	2	H=4800
	254130520001	Hydraulic hose assembly 10-L2810	液压管总成(直)10-L2810-1SC-60°	2	H=5000
	254130520002	Hydraulic hose assembly 10-L3110	液压管总成(直)10-L3110-1SC-60°	2	H=5500
	254130520003	Hydraulic hose assembly 10-L3510	液压管总成(直)10-L3510-1SC-60°	2	H=6000
	263030520006	Hydraulic hose assembly 10-L3900	液压管总成(直)10-L3900-1SC-60°	2	H=6500
254131020007	Hydraulic hose assembly 10-L2950	液压管总成(直)10-L2950-1SC-60°	2	H=5200	
6	255030520023	Bushing 1	衬套1	1	
7	910100100054	Bolt GB5782-M12x80-8.8	螺栓GB5782-M12x80-8.8	1	
6	255030520023	Bushing 1	衬套1	1	
7	910100100054	Bolt GB5782-M12x80-8.8	螺栓GB5782-M12x80-8.8	1	
8	910400500008	Spring washer GB93-12	弹簧垫圈GB93-12	1	
9	910400100008	washer GB97.1-12-200HV	平垫圈GB97.1-12-200HV	1	
10	255030520022	Bushing Φ22xΦ13x56	衬套Φ22xΦ13x56	1	
11	252128521001	Hydraulic hose assembly 10-L1810	液压管总成(直)10-L1810-1SC-60	2	H=4000
	255028520016	Hydraulic hose assembly 10-L1930	液压管总成(直)10-L1930-1SC-60°	2	H=4350
	255031020705	Hydraulic hose assembly 10-L1980	液压管总成(直)10-L1980-1SC-60°	2	H=4500
	255030520028	Hydraulic hose assembly 10-L2080	液压管总成(直)10-L2080-1SC-60°	2	H=4800
	255030520029	Hydraulic hose assembly 10-L2180	液压管总成(直)10-L2180-1SC-60°	2	H=5000
	254128520031	Hydraulic hose assembly 10-L2350	液压管总成(直)10-L2350-1SC-60°	2	H=5500
	281229020031	Hydraulic hose assembly 10-L2500	液压管总成(直)10-L2500-1SC-60°	2	H=6000
	254128520052	Hydraulic hose assembly 10-L2650	液压管总成(直)10-L2650-1SC-60°	2	H=6500
253528520009	Hydraulic hose assembly 10-L2250	液压管总成(直)10-L2250-1SC-60°	2	H=5200	
12	255030520021	Pulley φ110x27	滑轮φ110x27(单槽)	2	
13	254130520014	Pulley block pole	滑轮挡杆	1	

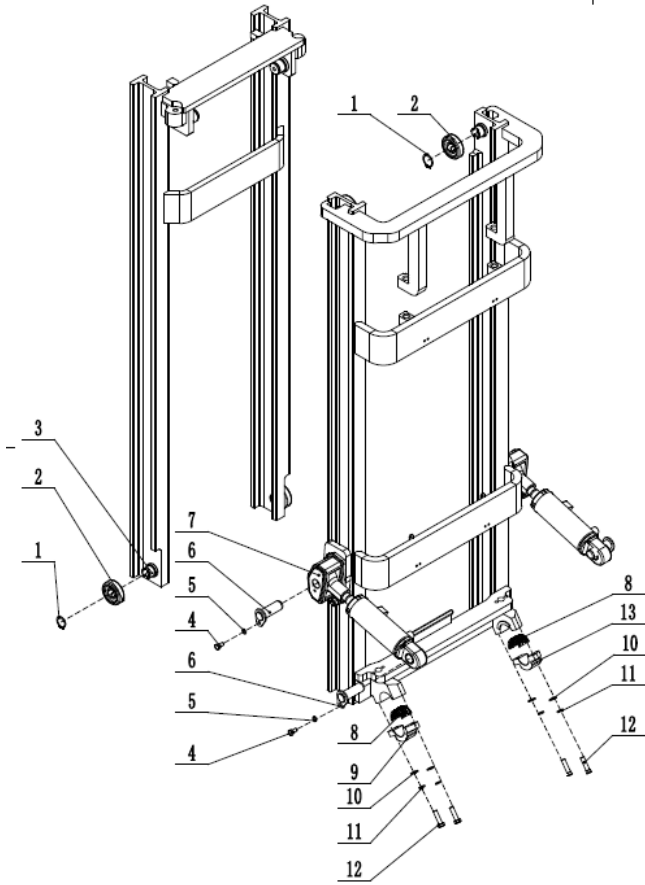
双附加管路 (三级全自由) / (three stage full free)



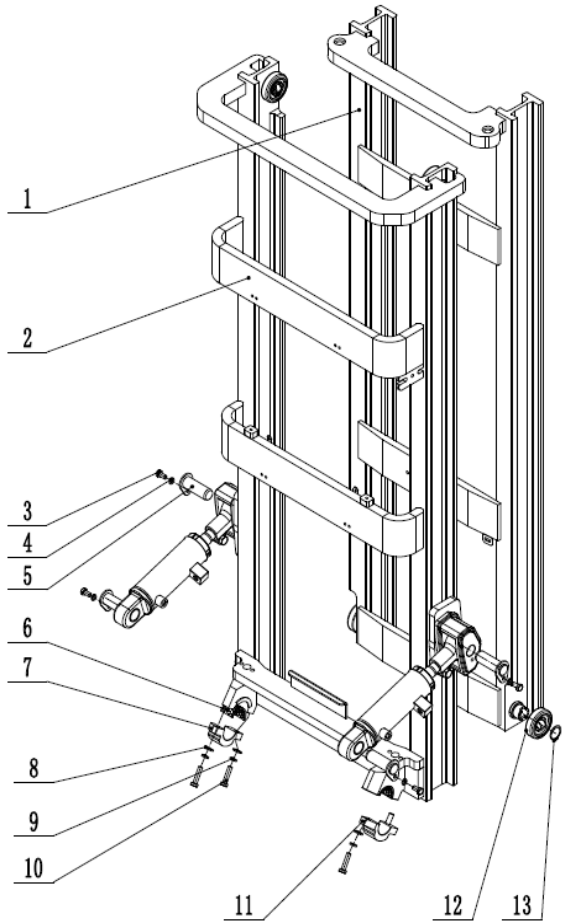
序号/NO	编码/SN	名称	Name	数量/QTY	备注/Remark
1	254131010002	滑轮支架焊合	Pulley support welded	1	
2	255031020004	带耳轴Φ20x70	Axis Φ20x70	1	
3	910400100006	平垫圈GB97.1-8-200HV	WasherGB97.1-8-200HV	2	
4	910400500006	弹簧垫圈GB93-8	Washe GB93-8	2	
5	910100300020	螺栓GB5783-M8x16-8.8	Bolt GB5783-M8x16-8.8	2	
6	255031020007	滑轮Φ90x22(单槽)	Pulley Φ90x22	2	
7	910200200062	螺钉GB70.1-M8x45-8.8	Screw GB70.1-M8x45-8.8	3	
8	255028520035	安装板(管夹)	mounting plate	3	
9	255028520034	胶管固定块	Pipe press fixedly plank	6	
10	281231020101	支架	Holder	1	
11	281231020102	胶管安装板(实际不用)	Hose mounting plate	1	
12	255030520029	液压管总成(直)10-L2180-1SC-60°	Hydraulic pipe welding10-L2180-1S	2	H=4000
	256531020701	液压管总成(直)10-L2430-1SC-60°	Hydraulic pipe welding10-L2430-1S	2	H=4350
	255031020100	液压管总成(直)10-L2530-1SC-60°	Hydraulic pipe welding10-L2530-1S	2	H=4500
	255028520050	液压管总成(直)10-L2730-1SC-60°	Hydraulic pipe welding10-L2730-1S	2	H=4800
	263028520010	液压管总成(直)10-L2940-1SC-60°	Hydraulic pipe welding10-L2940-1S	2	H=5000
	256530520702	液压管总成(直)10-L3220-1SC-60°	Hydraulic pipe welding10-L3220-1S	2	H=5500
	255031020014	液压管总成(直)10-L3630-1SC-60°	Hydraulic pipe welding10-L3630-1S	2	H=6000
	252130520702	液压管总成(直)10-L4015-1SC-60°	Hydraulic pipe welding10-L4015-1S	2	H=6500
	275230529011	液压管总成(直)10-L3080-1SC-60°	Hydraulic pipe welding10-L3080-1S	2	H=7000
13	252131020001	胶管固定板(四联)	Rubber hose fixing plate	1	
14	254131010001	钢管(四联阀)焊合	Hydraulic pipe welding	1	
15	252128521001	Hydraulic hose assembly 10-L1810-	液压管总成(直)10-L1810-1SC-60	2	H=4000
	255028520016	Hydraulic hose assembly 10-L1930-	液压管总成(直)10-L1930-1SC-60°	2	H=4350
	255031020705	Hydraulic hose assembly 10-L1980-	液压管总成(直)10-L1980-1SC-60°	2	H=4500
	255030520028	Hydraulic hose assembly 10-L2080-	液压管总成(直)10-L2080-1SC-60°	2	H=4800
	255030520029	Hydraulic hose assembly 10-L2180-	液压管总成(直)10-L2180-1SC-60°	2	H=5000
	254128520031	Hydraulic hose assembly 10-L2350-	液压管总成(直)10-L2350-1SC-60°	2	H=5500
	281229020031	Hydraulic hose assembly 10-L2500-	液压管总成(直)10-L2500-1SC-60°	2	H=6000
	254128520052	Hydraulic hose assembly 10-L2650-	液压管总成(直)10-L2650-1SC-60°	2	H=6500
	253528520009	Hydraulic hose assembly 10-L2250-	液压管总成(直)10-L2250-1SC-60°	2	H=5200

281298501035门架(标准门架) / Mast (standard mast)

序号/NO	编码/SN	Name	名称	数量/QTY	备注/Remarks
1	910401300020	Cir clip GB894.1-40	轴用弹性挡圈GB894.1-40	4	
2	940200300049	Parameter of compound roller 78.8	复合滚轮Φ78.80-range=52.5-	4	选配
	940200300050	Parameter of compound roller 79.1	复合滚轮Φ79.10-range=52.5-	4	选配
	940200300032	Parameter of compound roller 79.4	复合滚轮Φ79.40-range=52.5-	4	选配
3	281244012011	Mast (2000)	内门架焊合(2000)	1	H=2000
	281244012001	Mast (2500)	内门架焊合(2500)	1	H=2500
	281244012002	Mast (2700)	内门架焊合(2700)	1	H=2700
	281244012003	Mast (3000)	内门架焊合(3000)	1	H=3000
	281244012004	Mast (3300)	内门架焊合(3300)	1	H=3300
	281244012005	Mast (3500)	内门架焊合(3500)	1	H=3500
	281244012006	Mast (3700)	内门架焊合(3700)	1	H=3700
	281244012007	Mast (4000)	内门架焊合(4000)	1	H=4000
	281244012008	Mast (4300)	内门架焊合(4300)	1	H=4300
	281244012009	Mast (4500)	内门架焊合(4500)	1	H=4500
	281244012010	Mast (5000)	内门架焊合(5000)	1	H=5000
4	910100300035	Bolt GB5783-M10x20-8.8	螺栓GB5783-M10x20-8.8	4	
5	910400500007	Spring washer GB93-10	弹簧垫圈GB93-10	6	
6	255044010057	Axle Φ30x82	带耳轴Φ30x82	4	
7	281244011011	Mast (2000)	外门架焊合(2000)	1	H=2000
	281244011001	Mast (2500)	外门架焊合(2500)	1	H=2500
	281244011002	Mast (2700)	外门架焊合(2700)	1	H=2700
	281244011003	Mast (3000)	外门架焊合(3000)	1	H=3000
	281244011004	Mast (3300)	外门架焊合(3300)	1	H=3300
	281244011005	Mast (3500)	外门架焊合(3500)	1	H=3500
	281244011006	Mast (3700)	外门架焊合(3700)	1	H=3700
	281244011007	Mast (4000)	外门架焊合(4000)	1	H=4000
	281244011008	Mast (4300)	外门架焊合(4300)	1	H=4300
	281244011009	Mast (4500)	外门架焊合(4500)	1	H=4500
	281244011010	Mast (5000)	外门架焊合(5000)	1	H=5000
8	281244020104	Bearing bush	轴套	2	
9	281244020102	Bearing cover(left)	支座盖	1	

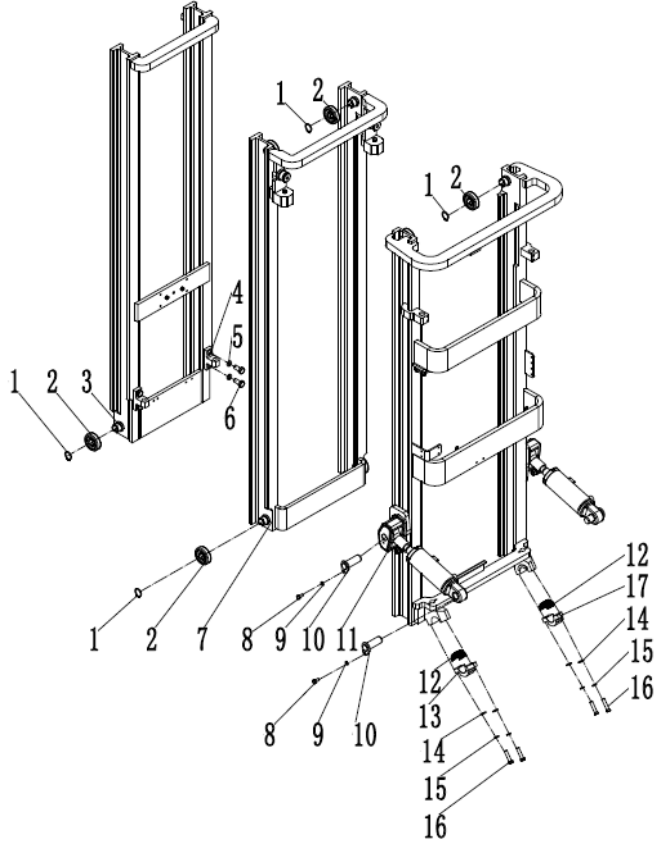


281298501036门架（二级全自由）/Mast (two stage full free)



序号/NO	编码/SN	Name	名称	数量/QTY	备注/Remarks
1	281243502201	Mast (2500)	内门架焊合(2500)	1	H=2500
	281243502202	Mast (2700)	内门架焊合(2700)	1	H=2700
	281243502203	Mast (3000)	内门架焊合(3000)	1	H=3000
	281243502204	Mast (3300)	内门架焊合(3300)	1	H=3300
	281243502205	Mast (3500)	内门架焊合(3500)	1	H=3500
	281243502206	Mast (3700)	内门架焊合(3700)	1	H=3700
	281243502207	Mast (4000)	内门架焊合(4000)	1	H=4000
	281243502208	Mast (4300)	内门架焊合(4300)	1	H=4300
	281243502209	Mast (4500)	内门架焊合(4500)	1	H=4500
	281243502210	Mast (5000)	内门架焊合(5000)	1	H=5000
2	281243502101	Mast (2500)	外门架焊合(2500)	1	H=2500
	281243502102	Mast (2700)	外门架焊合(2700)	1	H=2700
	281243502103	Mast (3000)	外门架焊合(3000)	1	H=3000
	281243502104	Mast (3300)	外门架焊合(3300)	1	H=3300
	281243502105	Mast (3500)	外门架焊合(3500)	1	H=3500
	281243502106	Mast (3700)	外门架焊合(3700)	1	H=3700
	281243502107	Mast (4000)	外门架焊合(4000)	1	H=4000
	281243502108	Mast (4300)	外门架焊合(4300)	1	H=4300
	281243502109	Mast (4500)	外门架焊合(4500)	1	H=4500
	281243502110	Mast (5000)	外门架焊合(5000)	1	H=5000
3	910100300035	Bolt GB5783-M10x20-8.8	螺栓GB5783-M10x20-8.8	4	
4	910400500007	Spring washer GB93-10	弹簧垫圈GB93-10	4	
5	255044010057	Axle Φ30x82	带耳轴Φ30x82	4	
6	281244020104	Bearing bush	轴套	2	
7	281244020102	Bearing cover(left)	支座盖	1	
8	910400100008	washer GB97.1-12-200HV	平垫圈GB97.1-12-200HV	4	
9	910400500008	Spring washer GB93-12	弹簧垫圈GB93-12	6	
10	910100100047	Bolt GB5782-M12x45-8.8	螺栓GB5782-M12x45-8.8	4	
11	281244020102	Bearing cover(left)	支座盖	1	
12	940200300049	Parameter of compound roller 78.8	复合滚轮Φ78.80-range=52.5-	4	选配
	940200300050	Parameter of compound roller 79.1	复合滚轮Φ79.10-range=52.5-	4	选配
	940200300032	Parameter of compound roller 79.4	复合滚轮Φ79.40-range=52.5-	4	选配
13	910401300020	Cir clip GB894.1-40	轴用弹性挡圈GB894.1-40	4	

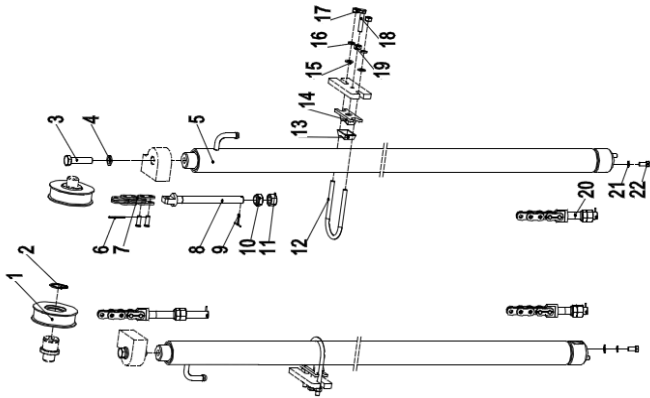
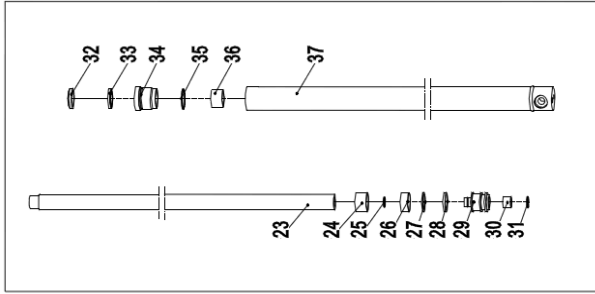
281298501037门架(三级全自由)/Mast (three stage full free)



序号/NO	编码/SN	Name	名称	数量/QTY	备注/Remarks
1	910401300018	Cir clip GB894.1-32	轴用弹性挡圈GB894.1-32	8	
2	940200300049	Parameter of compound roller 78.8	复合滚轮Φ78.80-range=52.5-	4	选配
2	940200300050	Parameter of compound roller 79.1	复合滚轮Φ79.10-range=52.5-	4	选配
2	940200300032	Parameter of compound roller 79.4	复合滚轮Φ79.40-range=52.5-	4	选配
3	254144510037	Mast 4000	内门架焊合4000	1	H=4000
	254144510038	Mast 4350	内门架焊合4350	1	H=4350
	254144510039	Mast 4500	内门架焊合4500	1	H=4500
	254144510040	Mast 4800	内门架焊合4800	1	H=4800
	254144510041	Mast 5000	内门架焊合5000	1	H=5000
	254144510042	Mast 5500	内门架焊合5500	1	H=5500
	254144510043	Mast 6000	内门架焊合6000	1	H=6000
	254144510075	Mast 6500	内门架焊合6500	1	H=6500
	254144510081	Mast 5200	内门架焊合5200	1	H=5200
4	254144520030	Chain plate	内门架链条固定板	2	
5	910400500010	spring washer GB93-16	弹簧垫圈GB93-16	4	
6	910100400028	Bolt GB5783-M16X1.5X35-8.8	螺栓GB5783-M16X1.5X35-8.8	4	
7	281244513001	Mast 4000	中门架焊合4000	4	H=4000
	281244513002	Mast 4350	中门架焊合4350	1	H=4350
	281244513003	Mast 4500	中门架焊合4500	1	H=4500
	281244513004	Mast 4800	中门架焊合4800	1	H=4800
	281244513005	Mast 5000	中门架焊合5000	1	H=5000
	281244513006	Mast 5500	中门架焊合5500	1	H=5500
	281244513007	Mast 6000	中门架焊合6000	1	H=6000
	281244513008	Mast 6500	中门架焊合6500	1	H=6500
	281244513009	Mast 5200	中门架焊合5200	1	H=5200
8	910100300035	Bolt GB5783-M10x20-8.8	螺栓GB5783-M10x20-8.8	4	
9	910400500007	spring washer GB93-10	弹簧垫圈GB93-10	4	
10	255044010057	Axle Φ30x82	带耳轴Φ30x82	4	
11	281244511001	Mast 4000	外门架焊合4000	1	H=4000
11	281244511002	Mast 4350	外门架焊合4350	1	H=4350
11	281244511003	Mast 4500	外门架焊合4500	1	H=4500

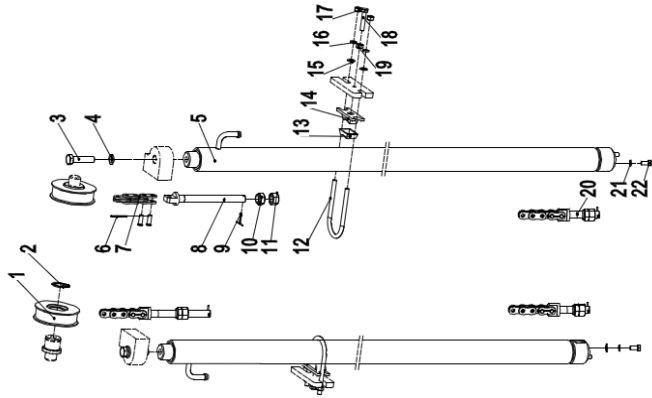
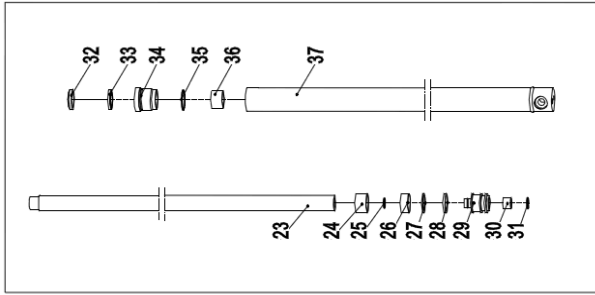
281298501038起升油缸(标准门架) /Lifting cylinder(standard mast)

序号/NO	编码/SN	Name	名称	数量/QTY	备注/Remarks
1	940200500003	Chain wheel bearing780708K-φ110	链轮轴承780706-Φ72xΦ30x21	2	
2	910401300020	Cir clip GB894.1-40	轴用弹性挡圈GB894.1-40	2	
3	910100300051	Bolt GB5786-M16x1.5x40-8.8	螺栓GB5783-M12x35-8.8	2	
4	910400500008	Spring washer GB93-12	弹簧垫圈GB93-12	2	
5	254144016002	Cylinder (H=2000)	油缸(H=2000)	2	H=2000
	254144010021	Cylinder (H=2500)	油缸(H=2500)	2	H=2500
	254144010022	Cylinder (H=3000)	油缸(H=2700)	2	H=2700
	254144010023	Cylinder (H=3300)	油缸(H=3000)	2	H=3000
	254144010024	Cylinder (H=3500)	油缸(H=3300)	2	H=3300
	254144010025	Cylinder (H=3600)	油缸(H=3500)	2	H=3500
	254144010026	Cylinder (H=3700)	油缸(H=3700)	2	H=3700
	254144010027	Cylinder (H=4000)	油缸(H=4000)	2	H=4000
	254144010028	Cylinder (H=4300)	油缸(H=4300)	2	H=4300
	254144010029	Cylinder (H=4500)	油缸(H=4500)	2	H=4500
254144010030	Cylinder (H=5000)	油缸(H=5000)	2	H=5000	
6	910600600015	Split pin 2x20	开口销 2x20	2	
7	▲	LH1623 chain	LH1223板式链	2	不提供单件
8	252044020121	Longer Joint	长端接头	2	
9	910600600030	Split pin 3.2x30	开口销 3.2x30	2	
10	910300200008	Nut M16x1.5	螺母M16x1.5	2	
11	254144020066	Nut M16x1.5	球面螺母M16x1.5	2	
12	254144020060	Fixing ring	固定环	2	
13	254144020061	Rubber bushing	防护罩	2	
14	254144020062	Fixing seat	固定座	2	
15	910400100006	Washer GB97.1-8-200HV	平垫圈GB97.1-8-200HV	4	
16	910400500006	Spring washer GB93-8	弹簧垫圈GB93-8	4	
17	910300100006	Nut GB6170-M8-10	螺母GB6170-M8-10	4	
18	910300100007	Nut GB6170-M10-10	螺母GB6170-M10-10	2	
19	910100300038	Bolt GB5783-M10x35-8.8	螺栓GB5783-M10x35-8.8	2	
20	251244020101	Short Joint	短端接头	2	
21	910400500007	Spring washer GB93-10	弹簧垫圈GB93-10	6	

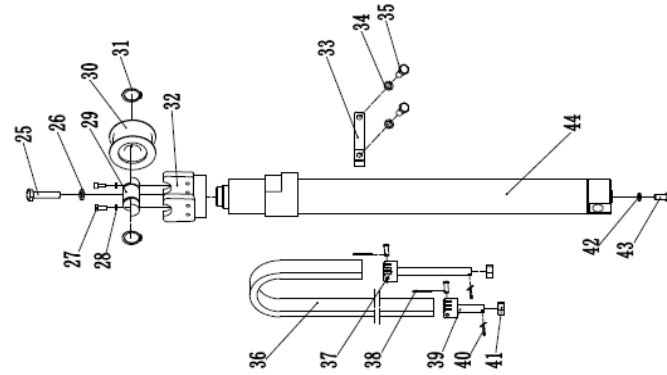
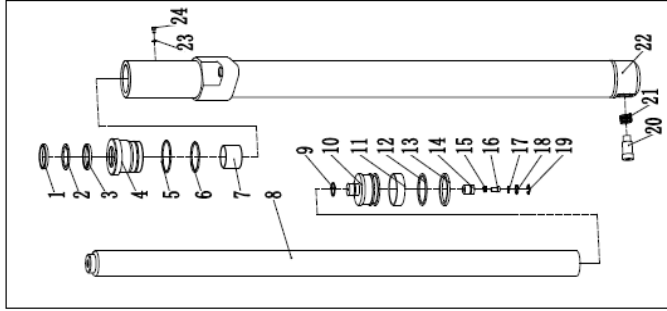


281298501038起升油缸(标准门架) /Lifting cylinder(standard mast)

序号/NO	编码/SN	Name	名称	数量/QTY	备注/Remarks
22	910100400002	Bolt GB5786-M10x1.25x20-8.8	螺栓GB5786-M10x1.25x20-8.8	2	
23	▲	Piston rod	活塞杆	1	不提供单件
24	▲	Adjusting bushing φ35.5xφ44xL1	调整套φ35.5xφ44xL1	1	不提供单件
25	▲	Cir clip	钢丝挡圈	1	不提供单件
26	▲	Bearing D45x8(t=2.5)	支承环D45x8(t=2.5)	1	不提供单件
27	▲	Catch 35x45x3	挡片35x45x3	1	不提供单件
28	▲	Seal ring 45x35x6	孔用密封圈4	1	不提供单件
29	▲	Piston rod	活塞	1	不提供单件
30	▲	Copper bushing	铜套	1	不提供单件
31	▲	Cir clip	钢丝挡圈	1	不提供单件
32	▲	Buffering ring 35x47x7	防尘圈	1	不提供单件
33	▲	Dust ring35x45x6	轴用密封圈	1	不提供单件
34	▲	Guide sleeve	导向套	1	不提供单件
35	▲	O ring 44.7x2.4	O型密封圈	1	不提供单件
36	▲	Bearing 3530	钢背轴承3530	1	不提供单件
37	▲	Cylinder	缸体	1	不提供单件
A	254198510001	Dowel pin	密封件修理包(起升缸)	2	包含/Inc.27.29.34.35.37
B	252044010044	Lifting chain LH1234-87	起升链条LH1234-73	2	H=2000
	251244014001	Lifting chain LH1234-87	起升链条LH1234-87	2	H=2500
	251244014002	Lifting chain LH1234-93	起升链条LH1234-93	2	H=2700
	251244014003	Lifting chain LH1234-101	起升链条LH1234-101	2	H=3000
	252144014012	Lifting chain LH1234-107	起升链条LH1234-107	2	H=3300
	251244014005	Lifting chain LH1234-113	起升链条LH1234-113	2	H=3500
	251244014006	Lifting chain LH1234-119	起升链条LH1234-119	2	H=3700
	252044010022	Lifting chain LH1234-137	起升链条LH1234-137	2	H=4000
	252144014008	Lifting chain LH1234-147	起升链条LH1234-147	2	H=4300
	251244014008	Lifting chain LH1234-149	起升链条LH1234-149	2	H=4500

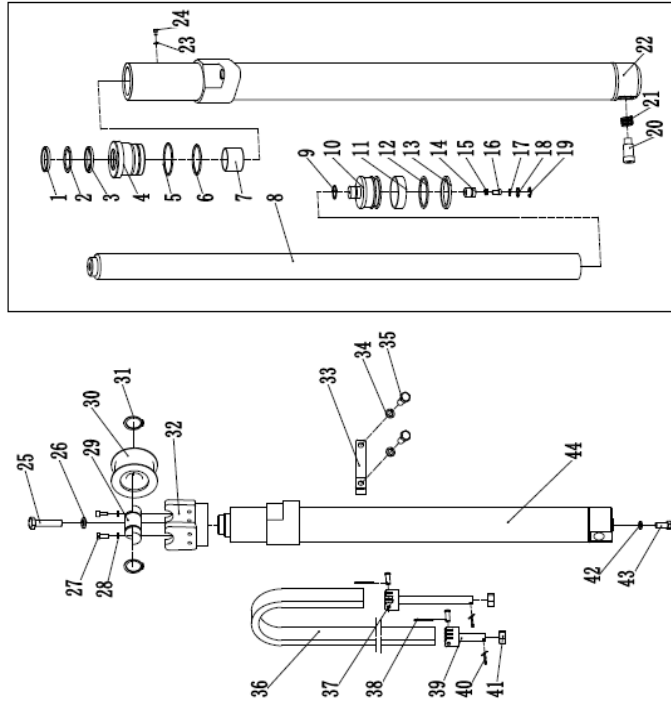


281298501039短升降油缸(二级全自由)/Short lifting cylinder(two stage full free)



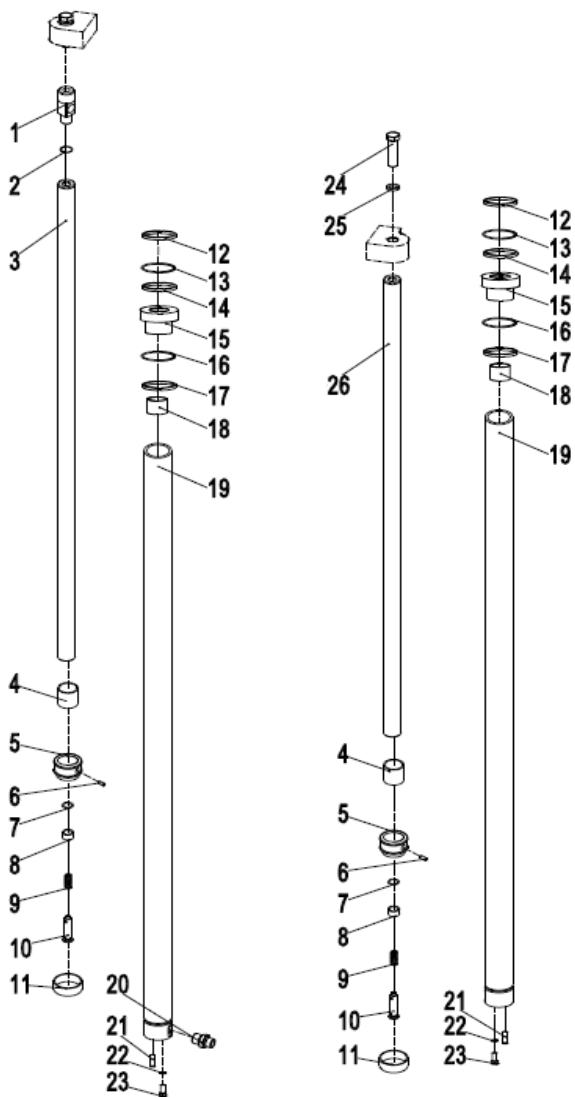
序号/NO	编码/SN	Name	名称	数量/QTY	备注/Remarks
A	254143510060	Lifting chain LH1266-65	起升链条LH1266-65	2	H=2500
	254143515001	Lifting chain LH1266-67	起升链条LH1266-67	2	H=2700
	254143510061	Lifting chain LH1266-71	起升链条LH1266-71	2	H=3000
	254144510016	Lifting chain LH1266-75	起升链条LH1266-75	2	H=3300
	254144510017	Lifting chain LH1266-77	起升链条LH1266-77	2	H=3500
	254144540004	Lifting chain LH1266-81	起升链条LH1266-81	2	H=3700
	252143510071	Lifting chain LH1266-85	起升链条LH1266-85	2	H=4000
	254144510019	Lifting chain LH1266-89	起升链条LH1266-89	2	H=4300
	252143510072	Lifting chain LH1266-91	起升链条LH1266-91	2	H=4500
	254143510065	Lifting chain LH1266-97	起升链条LH1266-97	2	H=5000
1	▲	Dust ring 50x58x7/6.5	防尘圈	1	不单独提供
2	▲	Catch 50x60x3	挡片50x60x3	1	不单独提供
3	▲	Seal ring 50x60x6	轴用密封圈	1	不单独提供
4	▲	Guide sleeve	导向套	1	不单独提供
5	▲	O ring D75x3.1	O型密封圈	1	不单独提供
6	▲	O ring D70x3.1	O型密封圈	1	不单独提供
7	▲	Bearing 5035	钢背轴承5035	1	不单独提供
8	▲	Piston rod	活塞杆	1	不单独提供
9	▲	Circlip	钢丝挡圈	1	不单独提供
10	▲	Piston assembly	活塞总成	1	不单独提供
11	▲	Back up ring 70x20x3	支承环70x20x3	1	不单独提供
12	▲	Circlip 70x60x3	挡圈70x60x3	1	不单独提供
13	▲	Seal ring 70x60x6	密封圈	1	不单独提供
14	▲	Valve bushing	阀套	1	不单独提供
15	▲	Spring	弹簧	1	不单独提供
16	▲	Valve plug	阀芯	1	不单独提供
17	▲	O ring D20x2.4	O型密封圈	1	不单独提供
18	▲	Cir clip φ12	挡圈φ12	1	不单独提供
19	▲	Cir clip φ22	挡圈φ22	1	不单独提供
20	▲	Slide valve	滑阀	1	不单独提供
21	▲	Spring	弹簧	1	不单独提供

281298501039短升降油缸(二级全自由)/Short lifting cylinder(two stage full free)



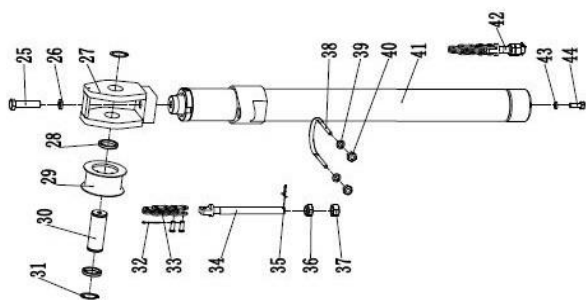
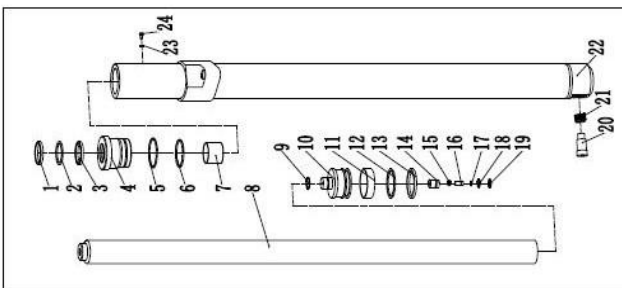
序号/NO	编码/SN	Name	名称	数量/QTY	备注/Remarks
22	▲	Cylinder	缸体	1	不单独提供
23	▲	Spacer	垫片	1	不单独提供
24	▲	Screw M5x5	螺钉M5x5	1	不单独提供
25	910100800006	Bolt GB5789-M16x40-8.8	螺栓GB5789-M16x40-8.8	1	
26	910400500010	Spring washer GB93-16	弹簧垫圈GB93-16	1	
27	941100400001	Screw M8x20-8.8	螺钉M8x20-8.8	2	
28	910400500006	Spring washer GB93-8	弹簧垫圈GB93-8	4	
29	254143520056	Chain plate	链轮轴	1	
30	940200500009	Chain wheel bearing 785208-00	链轮轴承785208-00-φ95xφ40xφ47	1	
31	910401300020	Cir clip GB894.1-40	轴用弹性挡圈GB894.1-40	2	
32	254143510050	Chain plate	链轮座焊合	1	
33	254143520072	hoop	抱箍	1	
34	910400100006	washer GB97.1-8-200HV	平垫圈GB97.1-8-200HV	2	
35	910100300022	Bolt GB5783-M8x20-8.8	螺栓GB5783-M8x20-8.8	2	
36	▲	LH1266 Chain	LH1266板式链	1	不单独提供
37	254143520070	Longer Joint	长端接头	1	
38	910600600015	Split pin GB91-2x20	开口销GB91-2X20	1	
39	254143520071	Short Joint	短端接头	1	
40	910600600030	Split pin 3.2X40	开口销3.2X40	2	
41	255044020158	Nut M18X1.5	球面螺母M18X1.5	2	
42	910400500008	Spring washer GB93-12	弹簧垫圈GB93-12	1	
43	910100400009	Bolt GB5786-M12x1.25x25-8.8	螺栓GB5786-M12x1.25x25-8.8	1	
44	254143510100	Cylinder(M)(H=2500)	油缸(M)(H=2500)	1	H=2500
	254143510101	Cylinder(M)(H=2700)	油缸(M)(H=2700)	1	H=2700
	254143510102	Cylinder(M)(H=3000)	油缸(M)(H=3000)	1	H=3000
	254143510103	Cylinder(M)(H=3300)	油缸(M)(H=3300)	1	H=3300
	254143510104	Cylinder(M)(H=3500)	油缸(M)(H=3500)	1	H=3500
	254143510105	Cylinder(M)(H=3700)	油缸(M)(H=3700)	1	H=3700
	254143510106	Cylinder(M)(H=4000)	油缸(M)(H=4000)	1	H=4000
	254143510107	Cylinder(M)(H=4300)	油缸(M)(H=4300)	1	H=4300
254143510108	Cylinder(M)(H=4500)	油缸(M)(H=4500)	1	H=4500	

281298501040起升油缸(二级全自由)/Short lifting cylinder(two stage full free)



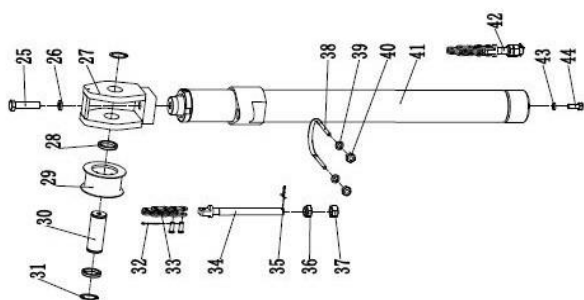
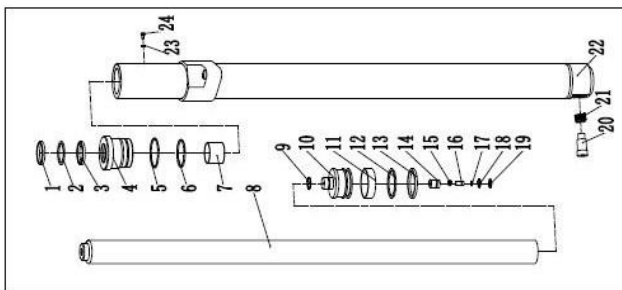
序号/NO	编码/SN	Name	名称	数量/QTY	备注/Remarks
A	254143510120	Cylinder (R)(H=2500)	油缸(R)(H=2500)	1	H=2500
	254143510121	Cylinder(R)(H=2700)	油缸(R)(H=2700)	1	H=2700
	254143510122	Cylinder (R)(H=3000)	油缸(R)(H=3000)	1	H=3000
	254143510123	Cylinder (R)(H=3300)	油缸(R)(H=3300)	1	H=3300
	254143510124	Cylinder (R)(H=3500)	油缸(R)(H=3500)	1	H=3500
	254143510125	Cylinder (R)(H=3700)	油缸(R)(H=3700)	1	H=3700
	254143510126	Cylinder (R)(H=4000)	油缸(R)(H=4000)	1	H=4000
	254143510127	Cylinder (R)(H=4300)	油缸(R)(H=4300)	1	H=4300
	254143510128	Cylinder (R)(H=4500)	油缸(R)(H=4500)	1	H=4500
	254143510129	Cylinder (R)(H=5000)	油缸(R)(H=5000)	1	H=5000
B	254143510110	Cylinder (L)(H=2500)	油缸(L)(H=2500)	1	H=2500
	254143510111	Cylinder (L)(H=2700)	油缸(L)(H=2700)	1	H=2700
	254143510112	Cylinder (L)(H=3000)	油缸(L)(H=3000)	1	H=3000
	254143510113	Cylinder (L)(H=3300)	油缸(L)(H=3300)	1	H=3300
	254143510114	Cylinder (L)(H=3500)	油缸(L)(H=3500)	1	H=3500
	254143510115	Cylinder (L)(H=3700)	油缸(L)(H=3700)	1	H=3700
	254143510116	Cylinder (L)(H=4000)	油缸(L)(H=4000)	1	H=4000
	254143510117	Cylinder (L)(H=4300)	油缸(L)(H=4300)	1	H=4300
	254143510118	Cylinder (L)(H=4500)	油缸(L)(H=4500)	1	H=4500
	254143510119	Cylinder (L)(H=5000)	油缸(L)(H=5000)	1	H=5000
1	▲	Connecting rod	左连接杆	1	不单独提供
2	▲	O ring 26x2.4	O型密封圈	1	不单独提供
3	▲	Piston rod assembly	左柱塞杆总成	1	不单独提供
4	▲	Adjusting bushing	调整套	2	不单独提供
5	▲	Piston	缓冲活塞	2	不单独提供
6	▲	ScrewM4x6	内六角凹端紧固螺钉M4x6	2	不单独提供
7	▲	Cir clip φ18	钢丝挡圈φ18	2	不单独提供
8	▲	Copper bushing	铜套	2	不单独提供
9	▲	Spring	弹簧	2	不单独提供
10	▲	Buffer plunger	缓冲柱塞	2	不单独提供
11	▲	Supporting ring 45x15x2.5	支承环45x15x2.5	2	不单独提供

281298501041短升降油缸（三级全自由）/Short lifting cylinder（three stage full free）



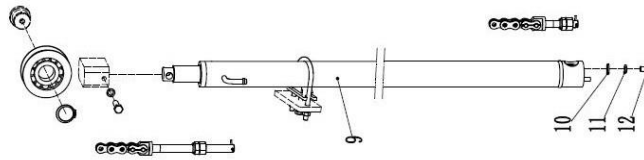
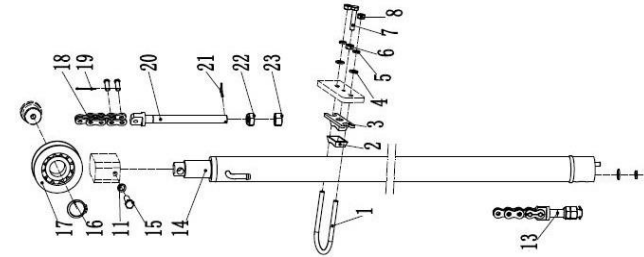
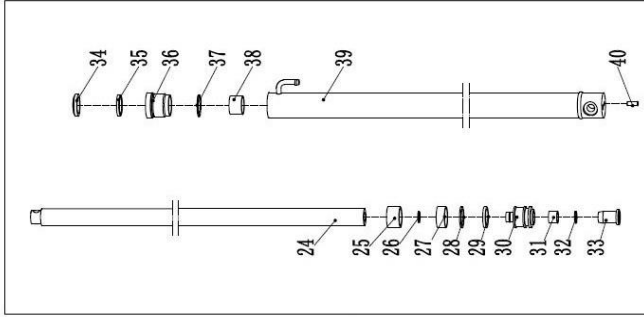
序号/NO	编码/SN	Name	名称	数量/QTY	备注/Remarks
A	254144510014	Lifting chain LH1266-69	起升链条LH1266-69	2	H=4000
	254143510061	Lifting chain LH1266-71	起升链条LH1266-71	2	H=4350
	254144510015	Lifting chain LH1266-73	起升链条LH1266-73	2	H=4500
	254144510016	Lifting chain LH1266-75	起升链条LH1266-75	2	H=4800
	254143510062	Lifting chain LH1266-79	起升链条LH1266-79	2	H=5000
	254144510018	Lifting chain LH1266-83	起升链条LH1266-83	2	H=5500
	254143510063	Lifting chain LH1266-87	起升链条LH1266-87	2	H=6000
	254143510064	Lifting chain LH1266-93	起升链条LH1266-93	2	H=6500
254144540004	Lifting chain LH1266-81	起升链条LH1266-81	2	H=5200	
1	▲	Dust ring	防尘圈	1	不单独提供
2	▲	Catch 50x60x3	挡片50x60x3	1	不单独提供
3	▲	Seal ring	轴用密封圈	1	不单独提供
4	▲	Glide sleeve	导向套	1	不单独提供
5	▲	O ring	O型密封圈	1	不单独提供
6	▲	O ring	O型密封圈	1	不单独提供
7	▲	Bearing 5035	钢背轴承 5035	1	不单独提供
8	▲	Piston rod	活塞杆	1	不单独提供
9	▲	Cir clip	钢丝挡圈	1	不单独提供
10	▲	Piston assembly	活塞体	1	不单独提供
11	▲	Support ring 70x20x3	支承环70x20x3	1	不单独提供
12	▲	Catch 70x60x3	挡片70x60x3	1	不单独提供
13	▲	Seal ring	孔用密封圈	1	不单独提供
14	▲	Valve cover	阀套	1	不单独提供
15	▲	Spring	弹簧	1	不单独提供
16	▲	Valve plug	阀芯	1	不单独提供
17	▲	Catch	挡片	1	不单独提供
18	▲	O ring D20x2.4	O型密封圈	1	不单独提供
19	▲	Cir clip 22	挡圈 22	1	不单独提供
20	▲	Slide valve	滑阀	1	不单独提供
21	▲	Spring 2.3x15x48.5	弹簧2.3x15x48.5	1	不单独提供
22	▲	Cylinder	缸体	1	不单独提供

281298501041短升降油缸（三级全自由）/Short lifting cylinder（three stage full free）



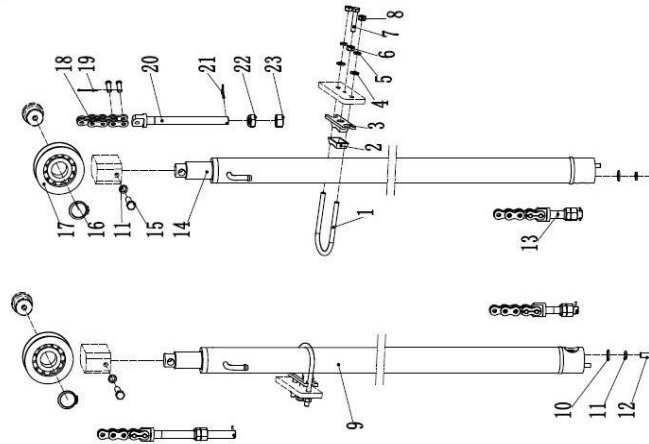
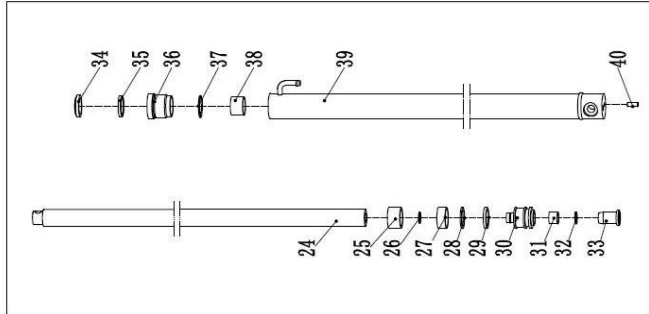
序号/NO	编码/SN	Name	名称	数量/QTY	备注/Remarks
23	▲	washer	垫片	1	不单独提供
24	▲	Screw t M5x5	内六角圆柱头螺钉M5x5	1	不单独提供
25	910200200123	Screw GB70.1-M16x50-8.8	螺钉GB70.1-M16x50-8.8	1	
26	910400500010	Spring washer GB93-16	弹簧垫圈GB93-16	1	
27	254144510020	Chain plate	链轮座	1	
28	254144520029	Block chain plate	链轮垫圈	1	
29	940200500009	Chain wheel bearing 785208-00	链轮轴承785208-00-φ95xφ40x47	1	
30	254144520031	Chain Axle	链轮轴	1	
31	910401300020	Cir clip GB894.1-40	轴用弹性挡圈GB894.1-40	2	
32	910600600015	split pin 2x20	开口销2x20	2	
33	▲	LH1266 chain	LH1266板式链	2	不单独提供
34	254143520070	Joint	长端接头	2	
35	910600600032	split pin 3.2x30	开口销3.2x30	2	
36	255044020158	Nut M18x1.5	球面螺母M18x1.5	2	
37	910300400007	Nut M18x1.5	螺母M18x1.5	2	
38	254144520032	Cylinder fixing hoop	油缸固定环	1	
39	910400500006	SpringWasherGB93-8	弹簧垫圈GB93-8	2	
40	910300100006	Nut GB6170-M8-10	螺母GB6170-M8-10	2	
41	254144510030	Cylinder H=4000	短起升油缸 H=4000	1	包含/Inc.1-24
	254144510031	Cylinder H=4300	短起升油缸 H=4300	1	
	254144510032	Cylinder H=4500	短起升油缸 H=4500	1	
	254144510033	Cylinder H=4800	短起升油缸 H=4800	1	
	254144510034	Cylinder H=5000	短起升油缸 H=5000	1	
	254144510035	Cylinder H=5500	短起升油缸 H=5500	1	
	254144510036	Cylinder H=6000	短起升油缸 H=6000	1	
	254144510076	Cylinder H=6500	油缸(M)Φ70xΦ55x1155	1	
254144510078	Cylinder H=5200	油缸(M)Φ70xΦ55x1155	1		
42	254143520071	Joint	短端接头	2	
43	910400500008	SpringWasherGB93-12	弹簧垫圈GB93-12	1	
44	910100400009	Bolt GB5786-M12x1.25x25-8.8	螺栓GB5786-M12x1.25x25-8.8	1	
B	254198510005	Seal kits (three stage full free lifting	密封件修理包(中间缸)	1	包含Inc.1.3.5.6.13.18

281298501042起升油缸(三级全自由)/Lifting cylinder(three stage full free)



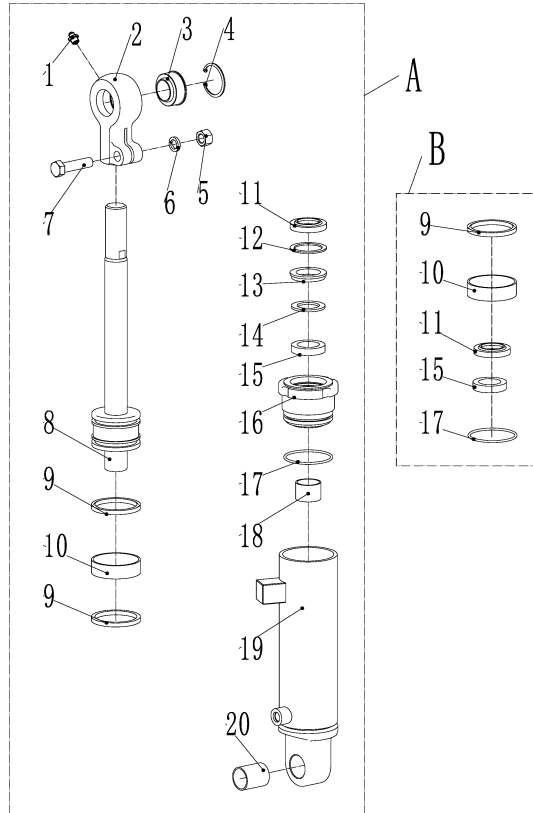
序号/NO	编码/SN	Name	名称	数量/QTY	备注/Remarks
1	254144020060	Fixing hoop	固定环	2	
2	254144020061	Support block	防护罩	2	
3	254144020062	Rubber pad	固定座	2	
4	910400100006	Washer GB97.1-8-200HV	平垫圈 GB97.1-8-200HV	4	
5	910400500006	Spring Washer GB93-8	弹簧垫圈 GB93-8	4	
6	910300100006	Nut GB6170-M8-10	螺母 GB6170-M8-10	4	
7	910300100007	Nut GB6170-M10-10	螺母 GB6170-M10-10	2	
8	910100300038	Bolt GB5783-M10x35-8.8	螺栓 GB5783-M10x35-8.8	2	
9	254144510044	Cylinder (L)H=4000	左起升油缸H=4000	1	包含/Inc.24-40
	254144510045	Cylinder (L)H=4350	左起升油缸H=4350	1	
	254144510046	Cylinder (L)H=4500	左起升油缸H=4500	1	
	254144510047	Cylinder (L)H=4800	左起升油缸H=4800	1	
	254144510048	Cylinder (L)H=5000	左起升油缸H=5000	1	
	254144510049	Cylinder (L)H=5500	左起升油缸H=5500	1	
	254144510050	Cylinder (L)H=6000	左起升油缸H=6000	1	
	254144510059	Cylinder (L)H=6500	油缸(L)Φ45xΦ35x2090	1	
254144510079	Cylinder (L)H=5200	油缸(L)Φ45xΦ35x1685	1		
10	910400100008	Washer GB97.1-12-200HV	平垫圈 GB97.1-12-200HV	2	
11	910400500008	Spring Washer GB93-12	弹簧垫圈 GB93-12	4	
12	910100400009	Bolt GB5786-M12x1.25x25-8.8	螺栓 GB5786-M12x1.25x25-8.8	2	
13	254144020065		链条螺栓 M16x1.5-85.5	2	16N
13	251244020101	Bolt M16x1.5	链条螺栓 M16x1.5x85	2	18N/20N
14	254144510051	Cylinder (R)H=4000	右起升油缸H=4000	1	包含/Inc.24-40
	254144510052	Cylinder (R)H=4350	右起升油缸H=4350	1	
	254144510053	Cylinder (R)H=4500	右起升油缸H=4500	1	
	254144510054	Cylinder (R)H=4800	右起升油缸H=4800	1	
	254144510055	Cylinder (R)H=5000	右起升油缸H=5000	1	
	254144510056	Cylinder (R)H=5500	右起升油缸H=5500	1	
	254144510057	Cylinder (R)H=6000	右起升油缸H=6000	1	
	254144510058	Cylinder (R)H=6500	油缸(R)Φ45xΦ35x2090	1	
254144510080	Cylinder (R)H=5200	油缸(R)Φ45xΦ35x1685	1		

281298501042起升油缸(三级全自由)/Lifting cylinder(three stage full free)



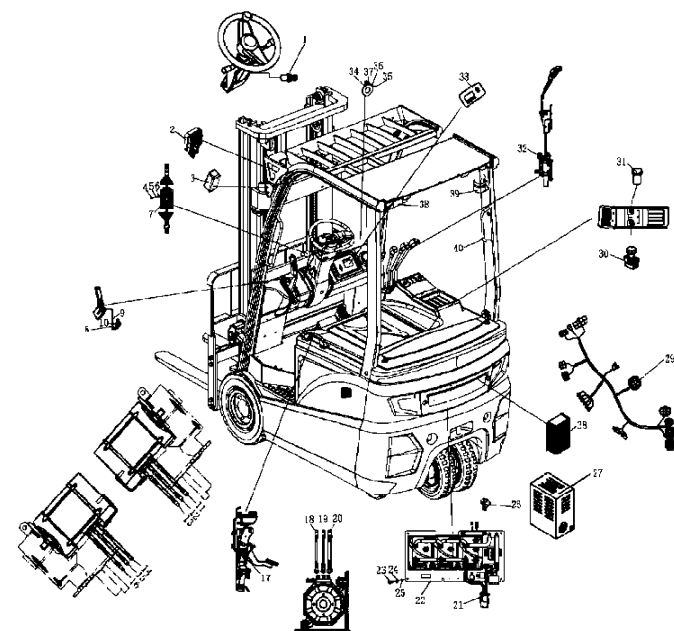
序号/NO	编码/SN	Name	名称	数量/QTY	备注/Remarks
15	910100300053	Bolt GB5783-M12x45-8.8	螺栓GB5783-M12x45-8.8	2	
16	910401300020	Cir clip GB894.1-40	轴用弹性挡圈GB894.1-40	2	
17	940200500004	Chain wheel bearing 780708K1-	链轮轴承780708K1-Φ95xΦ40x21	2	16N
17	940200500015	Chain wheel bearing 780708K3-	链轮轴承780708K3-Φ95xΦ40x27	2	18N/20N
18	254144020068	LH1223T chain	板式链条LH1223T	2	16N
18	910900400010	LH1234 chain	板式链GB6074-LH1234	2	18N/20N
19	910600600019	Split pin 2.5x25	开口销GB91-2.5x25	2	
20	254144020064	Bolt M16x1.5-140.5	链条螺栓M16x1.5-140.5	2	16N
20	252044020121	Bolt M16x1.5x178	链条螺栓M16x1.5x178	2	18N/20N
21	910600600030	Split pin 3.2x30	开口销3.2x30	2	
22	254144020066	Nut M16x1.5	球面螺母M16x1.5	2	
23	910300200008	Nut M16x1.5	螺母M16x1.5	2	
24	▲	Piston rod	活塞杆	1	不单独提供
25	▲	Adjusting bushing 35.5x44xL1	调整套35.5x44xL1	1	不单独提供
26	▲	Cir clip	钢丝挡圈	1	不单独提供
27	▲	Bearing D45X8(t=2.5)	支承环D45X8(t=2.5)	1	不单独提供
28	▲	Catch 35x45x6	挡片35x45x6	1	不单独提供
29	▲	Seal ring 45x35x6	孔用密封圈	1	不单独提供
30	▲	Piston	活塞	1	不单独提供
31	▲	Copper bushing	铜套	1	不单独提供
32	▲	Cir clip	钢丝挡圈	1	不单独提供
33	▲	Buffer ring	缓冲环	1	不单独提供
34	▲	Dust ring 35x47x7	防尘圈	1	不单独提供
35	▲	Seal ring 35x45x6	轴用密封圈	1	不单独提供
36	▲	Guide bushing	导向套	1	不单独提供
37	▲	O seal ring 44.7X2.4	O型密封圈	1	不单独提供
38	▲	Bearing 3530	钢背轴承3530	1	不单独提供
39	▲	Cylinder	缸体	1	不单独提供
40	▲	Dowel pin D10x26	圆柱销D10x26	1	不单独提供
A	254198510003	Seal kits(three stage full free lifting c	密封件修理包(起升缸)	2	Inc.27.29.34.35.37
B	251244014002	Lifting chainLH1234-93	起升链条LH1234-93	2	H=4000

281298501043倾斜油缸/Tilted cylinder



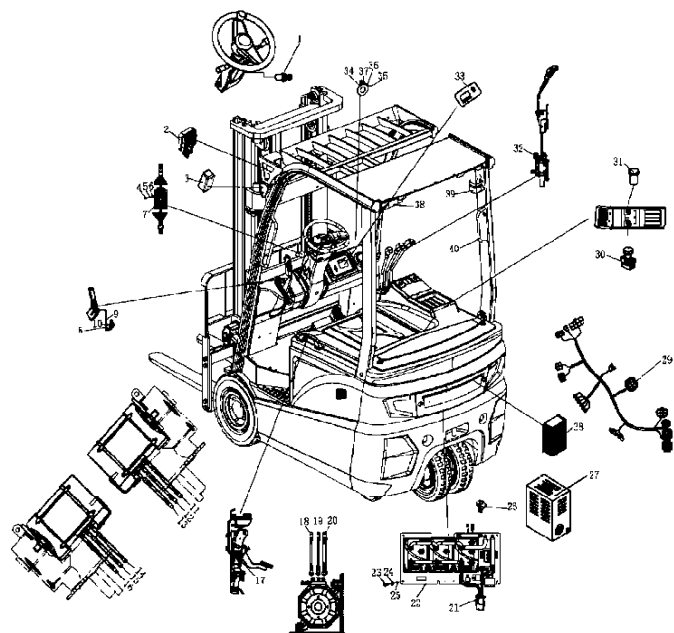
序号/NO	编码/SN	Name	名称	数量/QTY	备注/Remarks
A	281220511001	cylinder (TL)Φ63xΦ30x86(5/7)	油缸(TL)(5/7)	2	H<4000
	281220511002	cylinder (TL)Φ70xΦ32x57(3/5)	油缸(TL)(3/5)	2	H≥4000
	281220511004	cylinder (TL)Φ75xΦ32x88(7.5/5)	油缸(T)Φ75xΦ32x88(7.5/5)	2	
1	▲	Grease mouth Z1/8	直通式滑脂嘴Z1/8	1	不单独提供
2	▲	Earring	耳环	1	不单独提供
3	▲	Bearing GE 30	关节轴承30	1	不单独提供
4	▲	Cir clip 47	挡圈47	1	不单独提供
5	▲	Nut M14	螺母M14	1	不单独提供
6	▲	Washer 14	垫圈14	1	不单独提供
7	▲	Bolt M14x55	螺栓M14x55	1	不单独提供
8	▲	Piston	活塞	1	不单独提供
	▲	Piston	活塞	1	不单独提供
9	▲	seal ring 60x70x6	孔用	1	不单独提供
	▲	seal ring 53x63x6	孔用	1	不单独提供
10	▲	Support ring D65x70x20	支承环	1	不单独提供
	▲	Support ring D58x63x20	支承环	1	不单独提供
11	▲	Dust ring 32x52x8	防尘圈	1	不单独提供
	▲	Dust ring 30x47x7x10	防尘圈	1	不单独提供
12	▲	Cir clip 52	挡圈52	1	不单独提供
	▲	Cir clip 47	挡圈47	1	不单独提供
13	▲	Cir clip	挡圈	1	不单独提供
14	▲	Catch 32x48x3	挡片32x48x3	1	不单独提供
15	▲	U seal ring 48x30x10	U型密封圈	1	不单独提供
16	▲	Guide sleeve	导向套	1	不单独提供
	▲	Guide sleeve	导向套	1	不单独提供
17	▲	O seal ring 70x3.1	O型密封圈	1	不单独提供
18	▲	Bearing 32x36x25	钢背轴承32x36x25	1	不单独提供
	▲	Bearing 30x34x25	钢背轴承30x34x25	1	不单独提供
19	▲	Cylinder barrel assembly	缸筒总成	1	不单独提供
	▲	Cylinder barrel assembly	缸筒总成	1	不单独提供
20	▲	Bearing 30x34x38	钢背轴承30x34x38	1	不单独提供
B	254198510006	Seal kits (tilted cylinder)	密封件修理包(倾斜缸)	1	H<4000
	255098510006	Seal kits (tilted cylinder)	密封件修理包(倾斜缸)	14	H≥4000

281298501044电器系统/Electric system



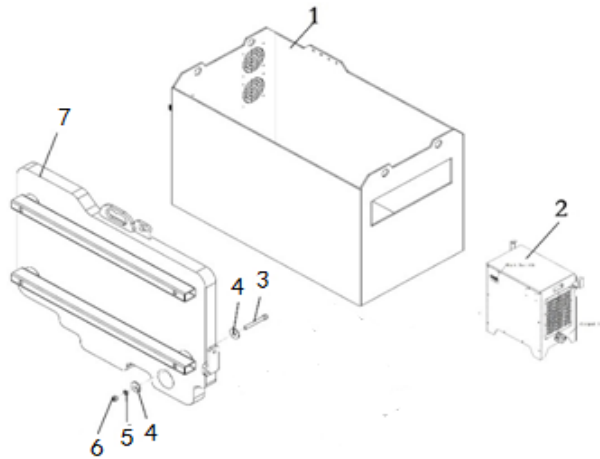
序号/NO	编码/SN	Name	名称	数量/QTY	备注/Remarks
1	920200200031	Key switch	钥匙开关(一档双路)	1	
2	922000100066	Light FLDD-9Z-FX	灯FLDD-9Z-FX	2	headlamps
3	922000100052	Light FLDJ-QXD-001	灯FLDJ-QXD-001	2	Before turn signal
4	910400500004	Spring Washer GB93-5	弹簧垫圈GB93-5	8	
5	910400100004	Washer GB97.1-5-200HV	平垫圈GB97.1-5-200HV	8	
6	910200500038	Screw GB818-M5x12-4.8	螺钉GB818-M5x12-4.8	4	
7	920200800013	Combination switch	组合开关	1	
8	920200300004	Micro switch	微动开关	1	parking brake
9	910200200017	Screw GB70.1-M4x25-8.8	螺钉GB70.1-M4x25-8.8	2	
10	910400100003	Washer GB97.1-4-200HV	平垫圈GB97.1-4-200HV	2	
11	284033010002	Cable -U1-35-6-8-2400	线缆-U1-35-6-8-2400	1	
12	284033010003	Cable -V1-35-6-8-2400	线缆-V1-35-6-8-2400	1	
13	284033010004	Cable -W1-35-6-8-2400	线缆-W1-35-6-8-2400	1	
14	284033010005	Cable -U2-35-6-8-2600	线缆-U2-35-6-8-2600	1	
15	284033010006	Cable -V2-35-6-8-2600	线缆-V2-35-6-8-2600	1	
16	284033010007	Cable -W2-35-6-8-2600	线缆-W2-35-6-8-2600	1	
17	920201000002	Foot pedal JK231	脚踏开关	1	Crane brake
18	284033010014	Cable -U3-35-6-8-2250	线缆-U3-35-6-8-2250	1	
19	284033010015	Cable -V3-35-6-8-2250	线缆-V3-35-6-8-2250	1	
20	284033010016	Cable -W3-35-6-8-2250	线缆-W3-35-6-8-2250	1	
21	281233010002	Cable	总电源线束	1	
22	281233010003	Controller (Curtis-3D20N)	电控组件(Curtis-3D20N)	1	Curtis
	281233010007	Controller ((Inmotion-3D20N)	电控组件(Inmotion-3D20N)	1	Inmotion
	281233010009	Controller (Curtis-F系列-3D18N)	电控组件(Curtis-F系列-3D18N)		Curtis-F
23	910200200058	Screw GB70.1-M8x25-8.8	螺钉GB70.1-M8x25-8.8	4	
24	910400100005	Washer GB97.1-6-200HV	平垫圈GB97.1-6-200HV	4	
25	910400500005	Spring Washer GB93-6	弹簧垫圈GB93-6	4	
26	921800200007	Potentiometer Vert-X	电位器Vert-X	1	
27	921000200079	Charger SN48V80A	充电器SN48V80A(亚中)	1	铅酸560/630Ah
	921000200080	Charger SN48V80A	充电器SN48V80A(亚英/欧)	1	铅酸560/630Ah
	921000200083	Charger SN48V80A	充电器SN48V80A(澳)	1	铅酸560/630Ah

281298501044电器系统/Electric system



序号/NO	编码/SN	Name	名称	数量/QTY	备注/Remarks
27	921000200560	Charger SN48V80A(3P 220V)	充电器SN48V80A(美式三相220V)	1	铅酸560/630Ah
	921000200084	Charger SN48V80A(3P 480V)	充电器SN48V80A(美式三相480V)	1	铅酸560/630Ah
	921000200157	Charger SN48V65A	充电器SN48V65A(亚中)	1	铅酸490/455Ah
	921000200158	Charger SN48V65A	充电器SN48V65A(亚英/欧)	1	铅酸490/455Ah
	921000200161	Charger SN48V65A	充电器SN48V65A(澳)	1	铅酸490/455Ah
	921000200567	Charger SN48V65A(3P 220V)	充电器SN48V65A(美式三相220V)		铅酸490/455Ah
	921000200502	Charger SN48V65A(3P 480V)	充电器SN48V65A(美式三相480V)	1	铅酸490/455Ah
	921000200801	Charger SN48V20A	充电器SN48V20A(美式110V)	1	所有铅酸电池
28	921900100001	Transducer DC48V 24V	转换器DC48V转24V	1	
29	281233010001	Truck body harness(Curtis-3D20N)	车身线束(Curtis-3D20N)	1	Curtis
	281233010005	Truck body harness(Inmotion-3D20N)	车身线束(Inmotion-3D20N)	1	Inmotion
	281233010008	Truck body harness(Curtis-F系列-3D20N)	车身线束(Curtis-F系列-3D20N)		Curtis-F
30	920200100020	Emergency switch LAY39-01MJ-RC	急停开关LAY39-01MJ-RC	1	
31	921900100004	Transducer DC24V 5V	转换器DC24V转5V	1	
32	920200300004	Micro switch	微动开关	1	Multi-way valve
33	921100100011	Indicator 3501-12-80V	仪表	1	Curtis-SE
	921100100045	Indicator IDD-E-35CD17B	仪表IDD-E-35CD17B	1	Inmotion
	921100100063	Indicator 3401T-12-96V	仪表3401T-12-96V	1	Curtis-F
34	920500100001	Horn 125-DC24V	喇叭125-DC24V	1	
35	910400100005	Washer GB97.1-6-200HV	平垫圈GB97.1-6-200HV	1	
36	910400500005	Spring Washer GB93-6	弹簧垫圈GB93-6	1	
37	910200500051	Screw GB818-M6x12-4.8	螺钉GB818-M6x12-4.8	1	
38	922000100060	Light FLDJ-SSWD-003	灯FLDJ-SSWD-003	2	Real combination lights
39	922000100051	Light FLDJ-JSD-002	灯FLDJ-JSD-002	1	Warning lights
40	255033510001	Rear lever switch	后把手开关	1	选装/optional

281298501048锂电池/Lithium Cell



序号/NO	编码/SN	Name	名称	数量/QTY	备注/Remarks
1	281537012106		赣锂51.2V277GF1加热国内3D	1	
	281537012112		赣锂51.2V277GF1国内3D	1	
	281537013101	Li Battery51.2V277GF2-3D	赣锂51.2V277GF2国际3D	1	
	281537013104	Li Battery51.2V277GF2-3D(heating)	赣锂51.2V277GF2加热国际3D	1	
	281537013107		赣锂51.2V277GF2安德森3D	1	
	281537013110		赣锂51.2V277GF2加热安德森3D	1	
	281537012107		赣锂51.2V412GF1加热国内3D	1	
	281537012113		赣锂51.2V412GF1国内3D	1	
	281537013102	Li Battery51.2V412GF2-3D	赣锂51.2V412GF2国际3D	1	
	281537013105	Li Battery51.2V412GF2-3D(heating)	赣锂51.2V412GF2加热国际3D	1	
	281537013108		赣锂51.2V412GF安德森3D	1	
	281537013111		赣锂51.2V412GF2加热安德森3D	1	
	281537012108		赣锂51.2V554GF1加热国内3D	1	
	281537012114	Li Battery51.2V554GF2-3D	赣锂51.2V554GF1国内3D	1	
	281537013103	Li Battery51.2V554GF2-3D(heating)	赣锂51.2V554GF2国际3D	1	
	281537013106		赣锂51.2V554GF2加热国际3D	1	
281537013109		赣锂51.2V554GF2安德森3D	1		
281537013112		赣锂51.2V554GF2加热安德森3D	1		
2	254336512112		安德普48V150国标电五心(380±10%V)	1	277Ah
	254336512113	Li charger 48V150A(5-core 380±10%V)	安德普48V150国标电五心(380±10%V)	1	277Ah
	254336512114	Li charger 48V150A(4-core 176~256V)	安德普48V150国标电四心(176~256V)	1	277Ah
	254336512115	Li charger 48V150A(4-core 356~520V)	安德普48V150国标电四心(356~520V)	1	277Ah
	255136512102		安德普48V200国标电五心(380±10%V)	1	412/554Ah
	255136512103	Li charger 48V200A(5-core 380±10%V)	安德普48V200国标电五心(380±10%V)	1	412/554Ah
	255136512104	Li charger 48V200A(4-core 176~256V)	安德普48V200国标电四心(176~256V)	1	412/554Ah
	255136512105	Li charger 48V200A(4-core 356~520V)	安德普48V200国标电四心(356~520V)	1	412/554Ah
3	910200200090	Screw GB70.1-M12x100-8.8	螺钉GB70.1-M12x100-8.8	3	
4	910400200005	Big washer 12	大垫圈12	6	
5	910400500008	Washer GB93-12	弹簧垫圈GB93-12	3	
6	910300100008	bolt GB6170-M12-10	螺母GB6170-M12-10	3	
7	281623012001	Secondary weight	附配重2	1	FE3D20N